

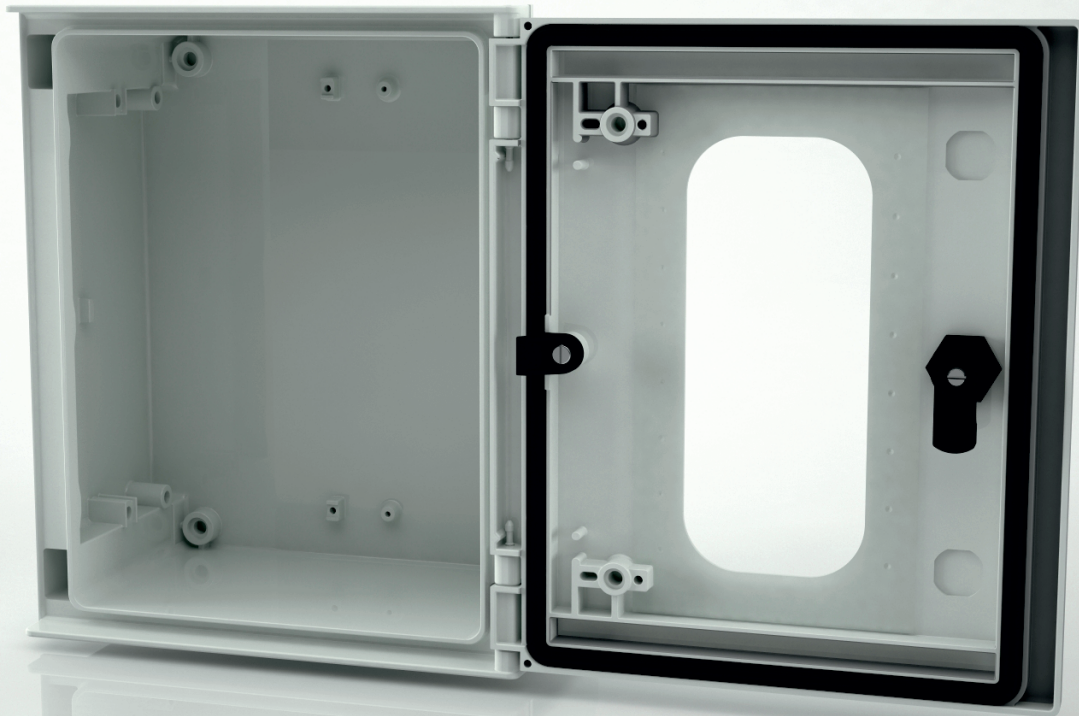


MONOBLOCK INDUSTRIAL ENCLOSURE IP66



BRES-325-P

Polyester enclosure 300 x 250 x 140 mm

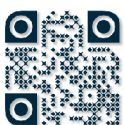


FEATURES

SafyBox BRES

- Boxes & Cabinets made from fiber glass reinforced polyester, moulded by hot compression.
- Colour Light Grey RAL 7035
- Self-extinguishability: 960° test withstanding. Halogen free. Double insulation. No electrical contact risks.
- Degree of protection Ip66 UNE 20324 (EN 60529).
- Certification of compliance with IEC62208 enclosure standard. Suitable for indoor or outdoor use.
- Large door opening (180°). Version with plain or glazed door. Reversibility for installation right or left door opening.
- Anti-intruder hinges system.
- Customise service: colour, machining, mounting accessories, locks, company logo.
- 1 lock with double-bar insert or 1 lock with 3 action points and vandalism-proof.
- Version with metallic or polyester mounting plate.
- Resistant to harsh atmospheres.
- Light weight gives an easy installation.
- 25 years. Long life lasting without maintenance under standard environmental conditions.

Code	Description	Height x Width x Depth	Weight
BRES-325-P	Empty standard enclosure light grey with transparent window	300 x 250 x 140 mm	1,93 kg





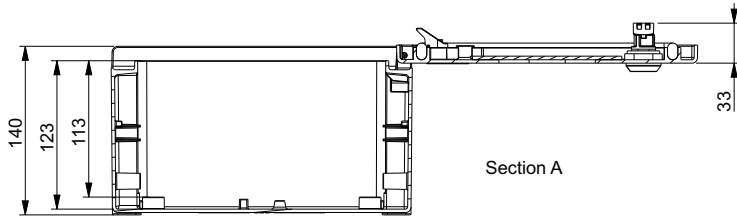
MONOBLOCK INDUSTRIAL ENCLOSURE IP66

BRES-325-P

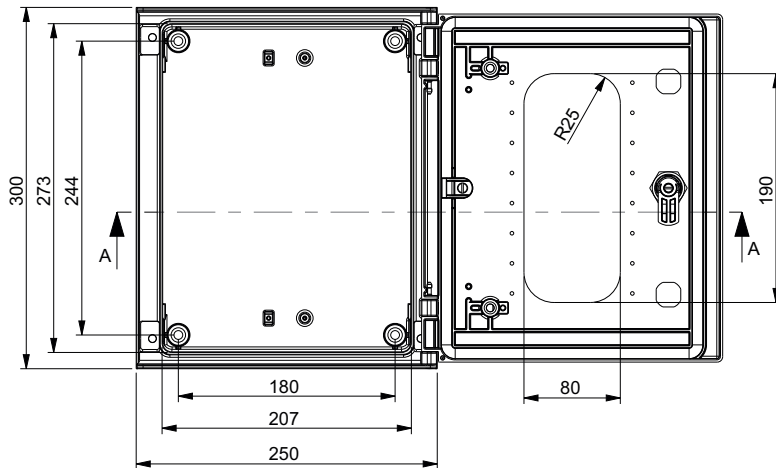
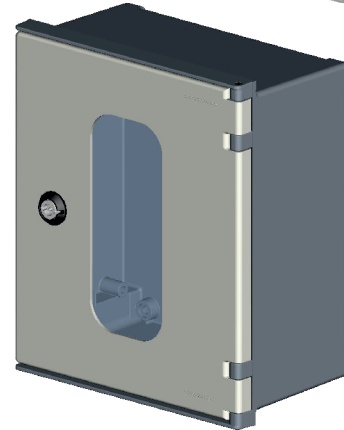
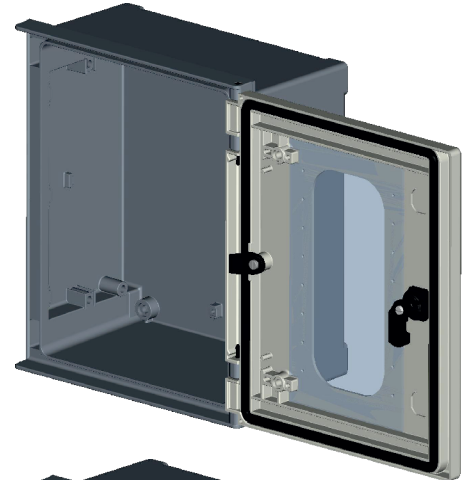
Polyester enclosure 300 x 250 x 140 mm



Standard
IEC
IEC-62208



Section A



Packaging

packaging unit	1	packaging height	301,0 mm	Units per pallet 120 x 80 cm (Height 220 cm)	130
number of doors	1	packaging width	251,0 mm	Units per pallet 110 x 110 cm (Height 220 cm)	208
weight	1,93 kg	packaging depth	141,5 mm	Units per pallet 155 x 110 cm (Height 220 cm)	270

Environmental performance

Minimum temperature	-30 °C	IP dust water protection degree IEC-60529	66
Maximum temperature	120 °C	IK impact protection degree IEC-50298	10
Compression resistance	100 kg		

Electrical performance

Nominal tension direct current up to:	1500 VdC
Nominal tension alternative current up to:	1000 VaC
Maximum power dissipation $\Delta T=104^{\circ}F$ (wall surface)	36,2 W

Installation and assembly system

Inside installation	Yes	Wall surface	Yes
Outdoor installation	Yes	Floor mounting	Yes
Flush mounting	No	Pole mounting	Yes