


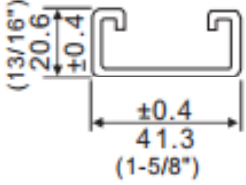
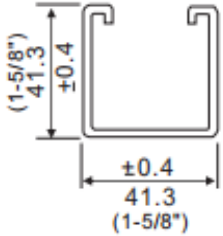
TECHNICAL SHEET

Product's Name: SLOTTED STRUT CHANNEL

Material: STEEL

Application: Support for Conduit pipes



Cat#		Length	Metric Size	US Size
ANK-4121	<p style="text-align: center;">21X41</p> 	3mtrs	41mmx21mm	1-5/8"x13/16"
ANK-4141	<p style="text-align: center;">41X41</p> 	3mtrs	41mmx41mm	1-5/8"x1-5/8"