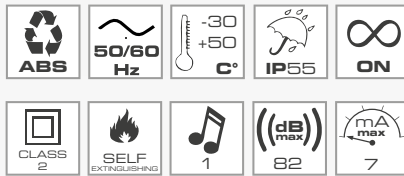


BEBIP



> 82 dB max <



BEBIP

Sounder engineered for panel mount applications.

Developed with acoustic piezoelectrical capsule, the device generates a characteristic intermittent sound.

KEY CHARACTERISTICS

NUMBER OF TONES
1 (Intermittent Sound)

VOLTAGES
12V ACDC, 24V ACDC, 48V ACDC, 110V DC, 110V AC, 240V DC, 240V AC +/-10%

PROTECTION GRADE
IP55

OPERATING TEMPERATURE
-30/+50 °C

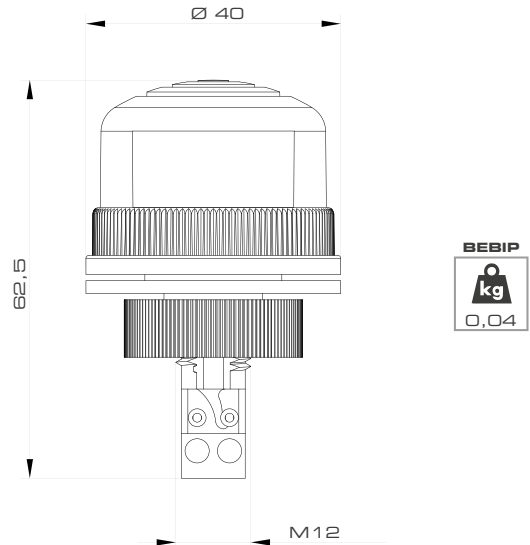
MECHANICAL FEATURES

ABS body and locking
Flush mounting (holes Ø16mm - 22mm - 30mm) through the locking provided

ACOUSTIC FEATURES

Acoustic piezoelectrical capsule
Intermittent Sound
Frequency: 4000+/-300Hz

DRAWINGS, DIMENSIONS AND WEIGHTS



BEBIP | PART NO

	GY	BK
12V ACDC	38000	38007
24V ACDC	38001	38008
48V ACDC	38002	38009
110V DC	38003	38010
110V AC	38004	38011
240V DC	38005	38012
240V AC	38006	38013

CERTIFICATIONS

