

24kV Bolted-type Tee Connector WEB 24/630

Design

1. External Screen

Moulded EPDM conductive rubber to ensure the connector touchable

2. Insulation

Moulded EPDM insulating rubber to ensure excellent electrical properties

3. Internal Screen

Moulded EPDM conductive rubber to control electrical stress

4. Two-headed Screw

To secure the conductor lug onto the bushing

5. Conductor Lug

To connect the cable conductor and bushing

6. Insulated Plug

Moulded epoxy plug having a metal insert to thread to accept the two-headed screw

7. Cable Adapter

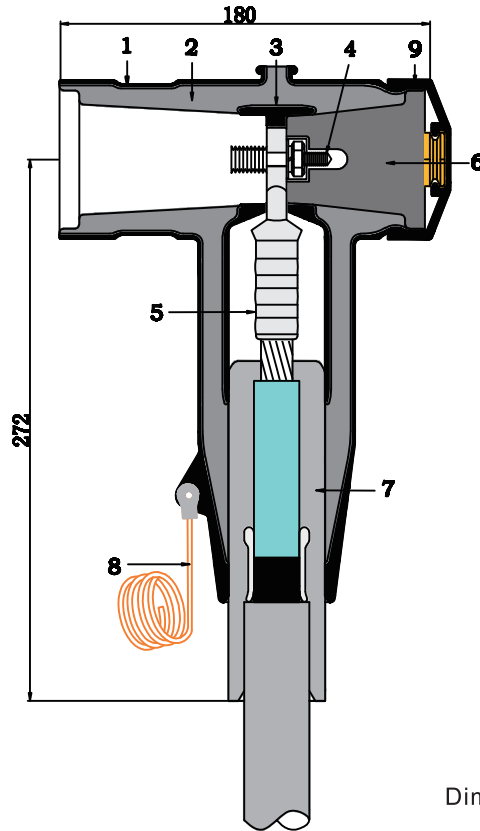
To provide initial stress relief and watertight seal

8. Earthing Wire

To earth the external screen for the connector

9. End Cap

Moulded EPDM conductive rubber to protect against dust



Dimension: mm

Up to 24kV
6/10(12) kV
6.35/11(12) kV
8.7/15(17.5) kV
12/20(24) kV
12.7/22(24) kV

Technical Data

Voltage Class	24kV
Continuous Current	Up to 630A
AC Withstand Voltage	54kV for 5min
Partial Discharge	20kV, $\leq 10\text{pC}$
Impulse Withstand Voltage (10 times for each polarity)	125kV
Screen Resistance	$\leq 5000\Omega$
Screen Fault Current Initiation	For solidly/unearthed /impedance earthed system

Ordering instruction

The ordering formula as followed:

	1	2	3	4
WEB				

Step 1

Choose the system voltage and current: 24/630

Step 2

Select the range from Table D that fits the diameter over core insulation

Step 3

Select the conductor code from Table C for the conductor size and type

Step 4

Select the package. 1: 1pc/kit; 3: 3pcs/kit.

Table D

Diameter over core insulation

InsulationRangeCode	Diameter over core insulation ϕ (mm)	
	Min.	Max.
A	18	22
B	22	25
C	25	28
D	28	32
E	32	35
F	35	38
G	38	41

Table C

Conductor Code

Conductor Cross-section(mm ²)	Copper Conductor (Hexagonal compression)	Aluminium Conductor (Hexagonal compression)
25	01C	01B
35	02C	02B
50	03C	03B
70	04C	04B
95	05C	05B
120	06C	06B
150	07C	07B
185	08C	08B
240	09C	09B
300	10C	10B
400	11C	11B

Ordering example:

The cable is 24kV, 3-core 95mm² copper conductor with core insulation diameter of 24mm. Order **WEB 24/630B05C3.**

Note:

Sealing or solderless grounding kits shall be ordered separately.

Insulated plug with capacitive test point is available upon request.

Feel free to contact us for detailed information.