

PHILIPS

Professional Lighting

RoadFlair



Sleek and superior
Beyond anticipation

Fit-for-purpose design



Designed for major and city roads, Philips RoadFlair is a new and exciting product set to brighten your streets beyond imagination. Smartly-designed to bring cities the highest savings possible with best-in-class lumen per watt, this road lighting production comes at a competitive price bound to excite.

Philips RoadFlair brings energy efficiency, improves a city's sustainability drive and delivers significant cost reduction in urban environments. The right road luminaire coupled with the right lighting application will create the best environment for your municipality, benefiting local communities and boosting tourism and businesses.

Application

- Roads
- Street
- Highways
- Parking

Tool-less opening, low failure rate



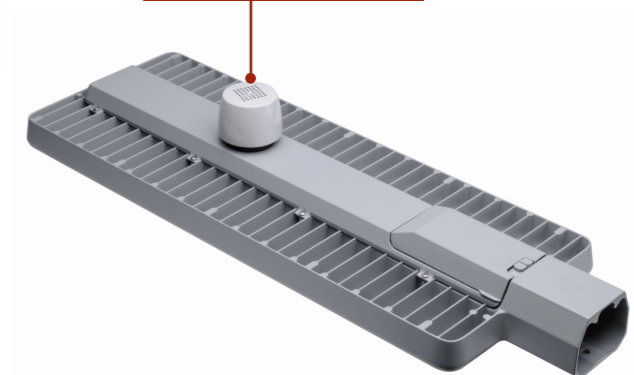
Best in class LED Technology
Consistent performance and reliability guaranteed

New Functional design
Designed to meet all the requirements of road and street lighting applications



Tool-less opening
Tool-less access for Small and Medium housing gear compartment. Tool-less access for Large housing SPD compartment.

Control System Support
7pin NEMA CityTouch
CityTouch Flex
7pin NEMA Receptacle
SR socket
Aplight Gen2



Benefits

- **High lumen efficacy**
120 to 140 lumen per watt – much higher than currently available solutions.
- **Unique functional design**
Sleek, light-weight and well-designed luminaire.
- **Control and dimming ready**
Supports CityTouch connect application, 7-Pin Nema socket and standard outdoor dimming protocols.
- **Value for money / most competitive product in its segment** Perfect for renovation, upgrading projects. Best-in-class LED lighting technology at an unmatched, competitive price.

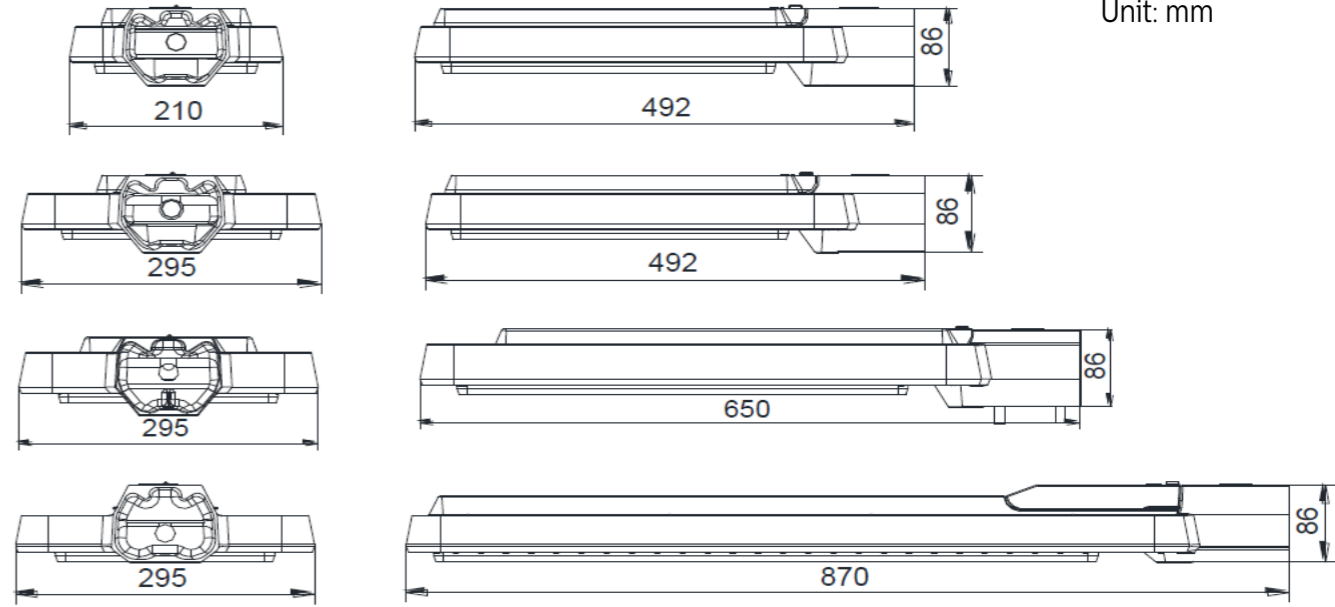
Take the next step

See how Philips RoadFlair can address your road lighting needs. Contact your local Philips Sales Representative for more information or to schedule a personalized demonstration.



Dimensional & technical detail

Unit: mm



Type	LEDs	Power/W	CCT/K	Weight/KG	L×W×H(mm)	Wind force area(m ²)	Voltage
BRP391 50LED70	50	23.8	3000/ 4000/ 5700	≈5	492*210*86	0.1	220-240V~ 50/60Hz
BRP391 55LED140	55	50					
BRP391 75LED140	75	70					
BRP391 90LED140	90	80					
BRP392 100LED70	100	44					
BRP392 155LED70	155	66		≈7	492*295*86	0.14	
BRP392 180LED70	180	76					
BRP392 75LED140	75	70					
BRP392 90LED140	90	80					
BRP392 100LED140	100	90					
BRP392 110LED140	110	100					
BRP392 130LED140	130	120					
BRP392 165LED140	165	150					
BRP392 175LED140	175	160					
BRP393 185LED140	185	170					
BRP393 195LED140	195	180					
BRP393 210LED140	210	190					
BRP393 220LED140	220	200					
BRP393 230LED140	230	210					
BRP393 240LED140	240	220					
BRP393 250LED140	250	230					
BRP394 260LED140	260	240		≈10	870*295*86	0.25	
BRP394 290LED70	290	123					
BRP394 345LED70	345	147					
BRP394 360LED70	360	154					
BRP394 195LED140	195	180					
BRP394 220LED140	220	200					
BRP394 240LED140	240	220					
BRP394 260LED140	260	240					
BRP394 275LED140	275	250					
BRP394 310LED140	310	280					
BRP394 330LED140	330	300					
BRP394 350LED140	350	320					

System Power Tolerance ± 10%

Product data

General Characteristics

Type	BRP391/392/393/394
Lifetime*	100,000 hours (L70B50 @ Ta 35C)
Optics	DM, DW1, DW2, DWV, DWP
Ingress Protection	IP66
Impact Resistance	IK08
SDCM	5

Light Technical Characteristics

Light source	LED
LED driver	Constant current or programmable driver options
System lumen output (lm)	Up to 38,400 lumen
Color rendering index	Minimum 70
Color Temperature	CW-5700K / NW-4000K / WW-3000K ± 500K

Electrical Characteristics

Power requirement	220-240V 50/60Hz
Power factor	> 0.95 (nominal power)
Drive current	100mA - 700mA

Environmental Characteristics

Installation	Side Entry: Standard version Φ 42-60mm pole ANZ version Φ 34-60mm pole
Windage area	BRP391 : 0.1m ² ; BRP392 : 0.14m ² ; BRP393 : 0.17m ² BRP394 : 0.25m ² < 12 m
Mounting height	Optimized for 8 to 14m
Working temperature	- 40°C < Ta < 50°C
Wind force	Up to 60m/s
Relative humidity	Up to 95%RH

System Support

CityTouch	
CityTouch Flex	
Amplight	
In addition, support SR and NEMA receptacle	

Mechanical

Housing Material	High-pressure die-cast aluminum
Gasket material	Heat resistant silicone rubber
Cover	Transparent weather resistant grade polycarbonate
Finishing	Gray Paint RAL7040

Product Information

Dimensions (LxWxH)	BRP391: 492 X 210 X 86 BRP392: 492 X 295 X 86 BRP393: 650 X 295 X 86 BRP394: 870 X 295 X 86
Weight	BRP391: 5kg BRP392: 7kg BRP393: 8kg BRP394: 10kg
Certifications	CB IEC 60598, CQC, TS1158, PSE,CE
Classifications	Class I & II
Surge protection	10KV/15KV
Control Options	Standalone dimming program, CityTouch, Amplight compatible
Maintenance	Tool-less opening of gear compartment for BRP391 and BRP392 Tool-less opening of SPD compartment for BRP394

BRP391 LED48/NW 40W 220-240V DM
BRP391 LED60/NW 50W 220-240V DM
BRP391 LED72/NW 60W 220-240V DM
BRP391 LED84/NW 70W 220-240V DM
BRP391 LED96/NW 80W 220-240V DM
BRP392 LED108/NW 90W 220-240V DM
BRP392 LED120/NW 100W 220-240V DM
BRP392 LED132/NW 110W 220-240V DM
BRP392 LED144/NW 120W 220-240V DM
BRP392 LED156/NW 130W 220-240V DM
BRP392 LED168/NW 140W 220-240V DM
BRP392 LED180/NW 150W 220-240V DM
BRP392 LED192/NW 160W 220-240V DM
BRP393 LED204/NW 170W 220-240V DM
BRP393 LED216/NW 180W 220-240V DM
BRP393 LED228/NW 190W 220-240V DM
BRP393 LED240/NW 200W 220-240V DM
BRP393 LED252/NW 210W 220-240V DM
BRP393 LED264/NW 220W 220-240V DM
BRP393 LED276/NW 230W 220-240V DM
BRP393 LED288/NW 240W 220-240V DM
BRP394 LED300/NW 250W 220-240V DM
BRP394 LED312/NW 260W 220-240V DM
BRP394 LED324/NW 270W 220-240V DM
BRP394 LED336/NW 280W 220-240V DM
BRP394 LED348/NW 290W 220-240V DM
BRP394 LED360/NW 300W 220-240V DM
BRP394 LED372/NW 310W 220-240V DM
BRP394 LED384/NW 320W 220-240V DM

More options available

