



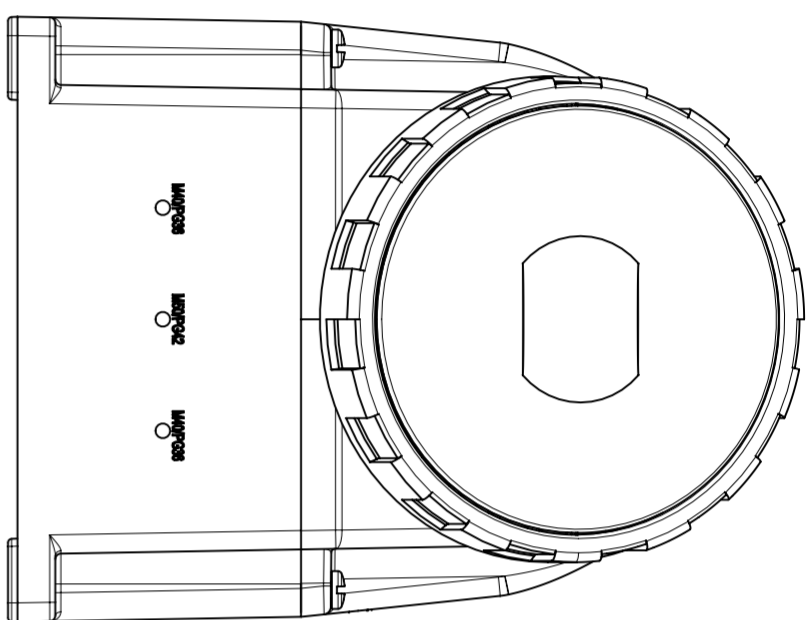
518.12557T

BASE MURAL

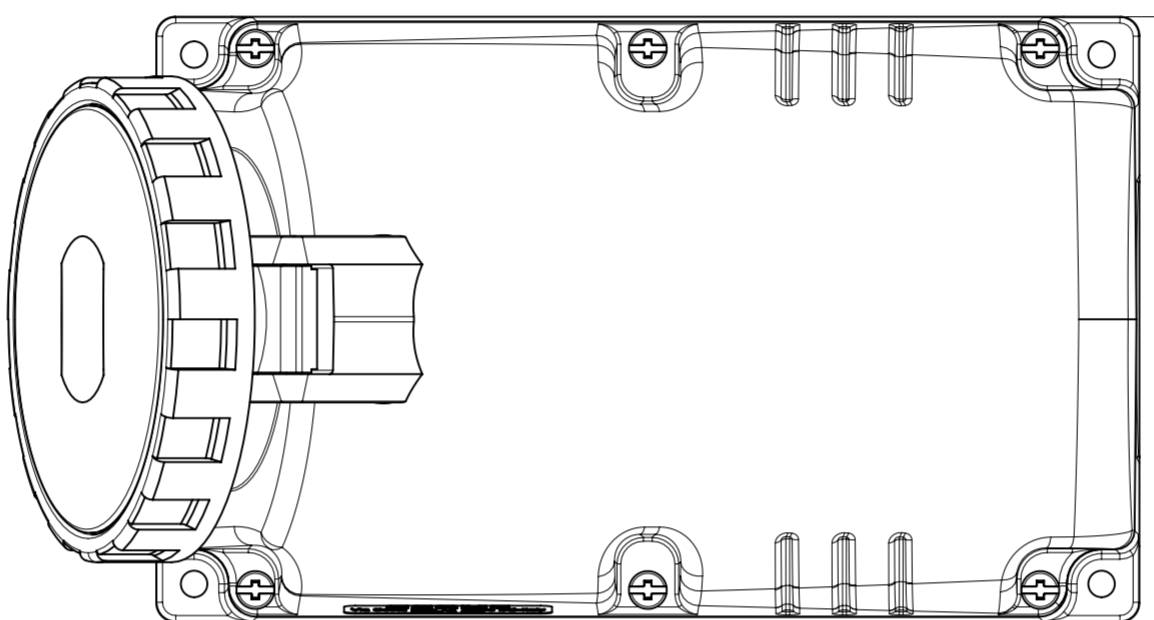
125A 3P+N+T 6h 346-415V 50Hz 60Hz Bornes conexión brida tornillo

Product Approvals

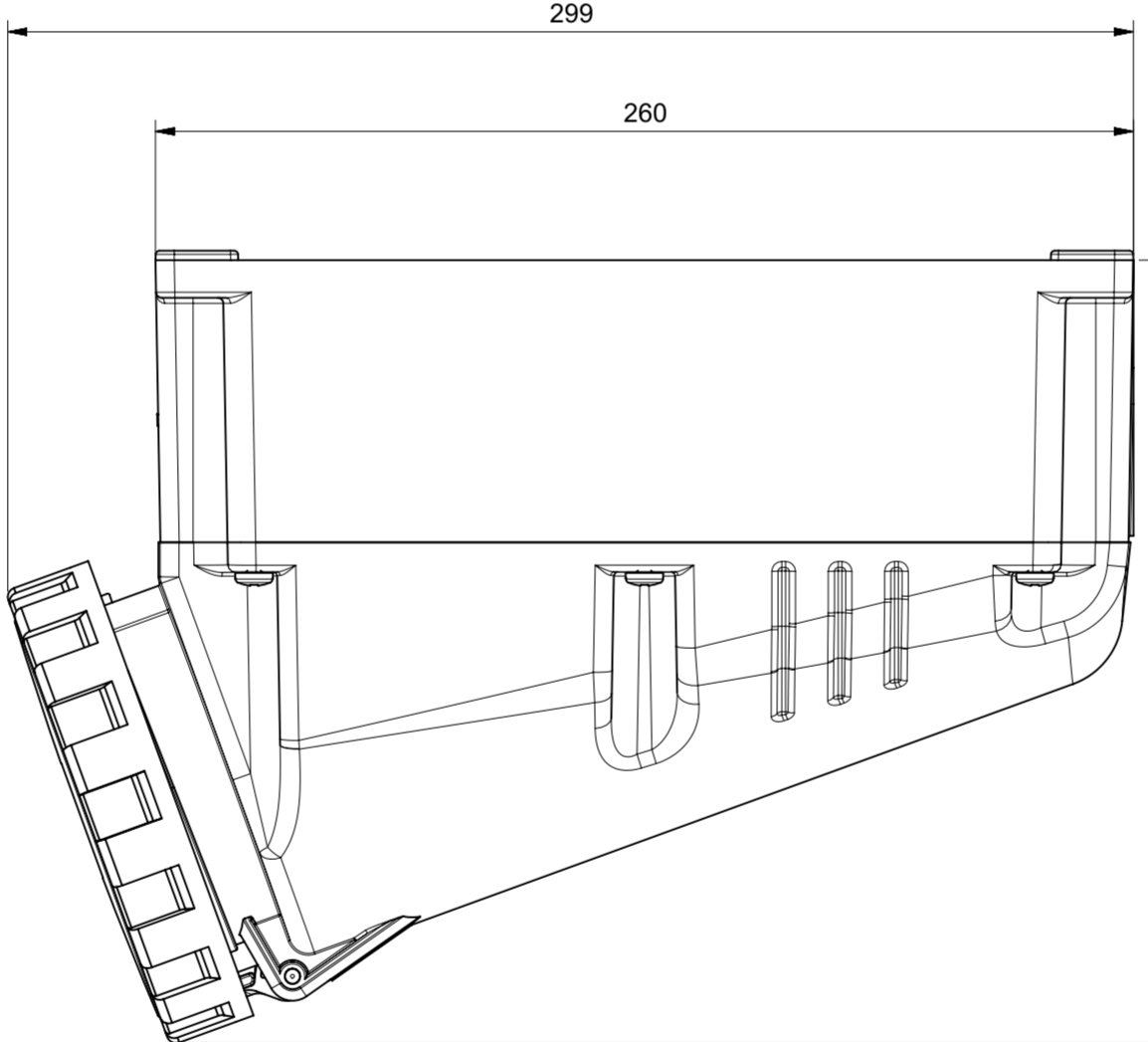
TECHDATA		STANDARDS AND LAWS	
Tipo de producto	BASE MURAL	EN 60309-1 (1999)	[European Standard] Plugs, socket-outlets and couplers for industrial purposes. Part 1: General requirements
Serie comercial	Serie OPTIMA-TOP	EN 60309-2 (1999)	[European Standard] Plugs, socket-outlets and couplers for industrial purposes. Part 2: Dimensional interchangeability requirements for pin and contact-tube accessories of harmonized configurations
Descripción sintética	BASE MURAL		
Tipo de instalación	MURAL		
Intensidad nominal	125A	EN 60309-1/A1 (2007)	[European Standard] Plugs, socket-outlets and couplers for industrial purposes. Part 1: General requirements
Polos	3P+N+T	EN 60309-2/A1 (2007)	[European Standard] Plugs, socket-outlets and couplers for industrial purposes. Part 2: Dimensional interchangeability requirements for pin and contact-tube accessories of harmonized configurations
Posición de hora	6h		
Tensión nominal (range)	250-400V	EN 60309-1/A2 (2012)	[European Standard] Plugs, socket-outlets and couplers for industrial purposes. Part 1: General requirements
Tensión nominal	346-415V		
Frecuencia nominal	60Hz	EN 60309-2/A2 (2012)	[European Standard] Plugs, socket-outlets and couplers for industrial purposes. Part 2: Dimensional interchangeability requirements for pin and contact-tube accessories of harmonized configurations
Frecuencia nominal	50Hz		
Color	ROJO	DIRECTIVE LOW VOLTAGE 2014/35 /UE	[European Directives] Low Voltage Directive
Grado de protección	Watertight		
Grado de protección IP	IP66/IP67/IP69		
Tipos de salidas disponibles	INCLINADA		
Bornes	Bornes conexión brida tornillo		
Salida del cable	M63X1,5		



160

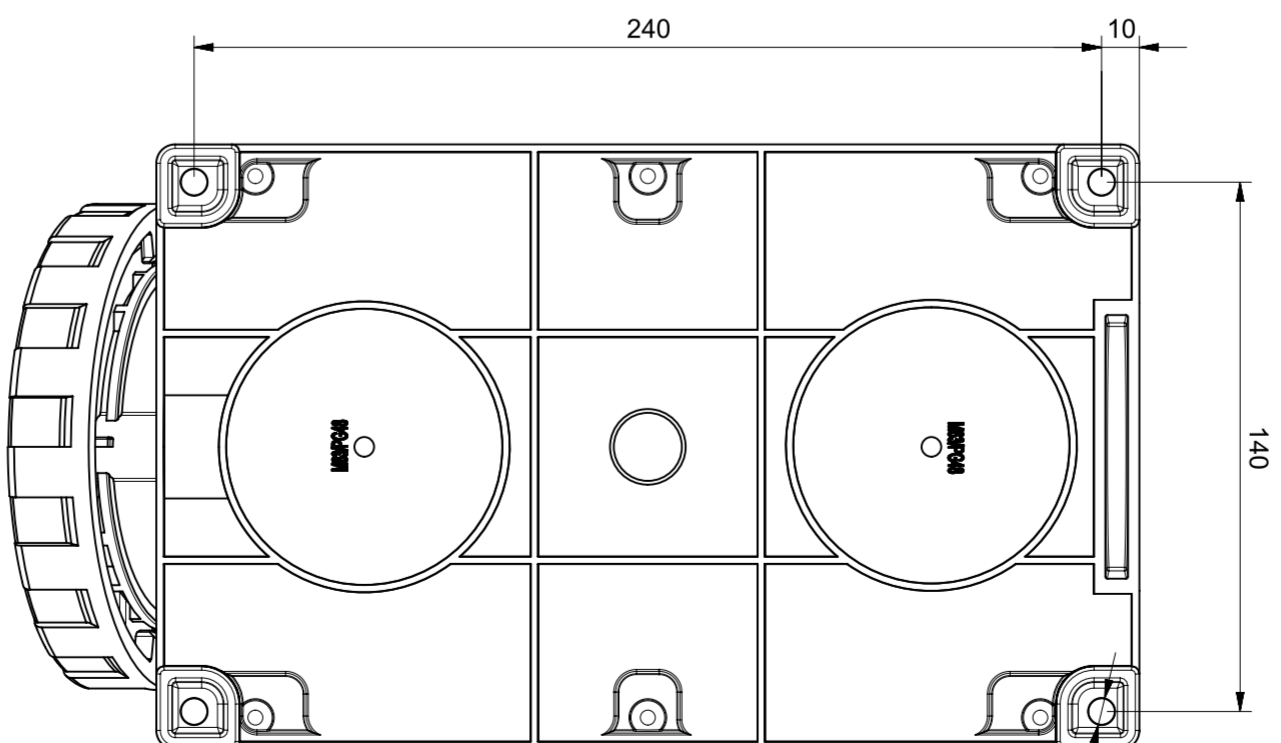
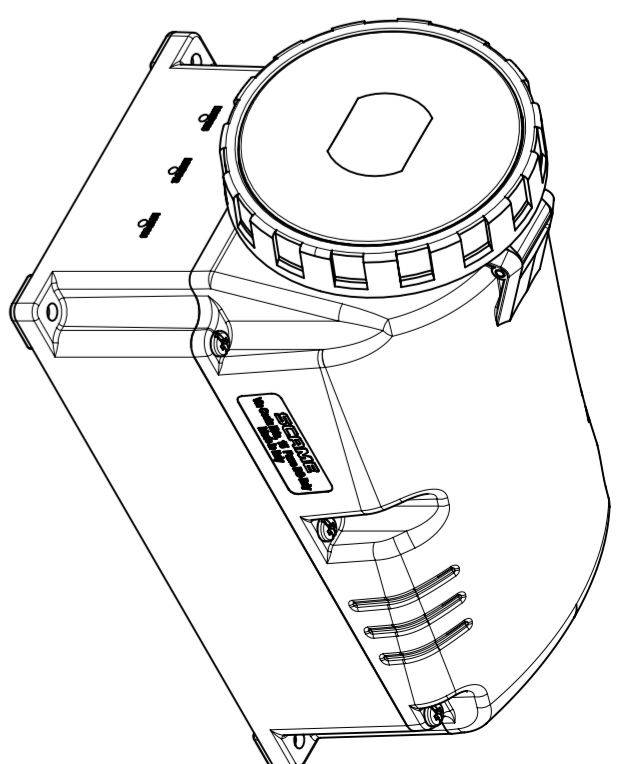
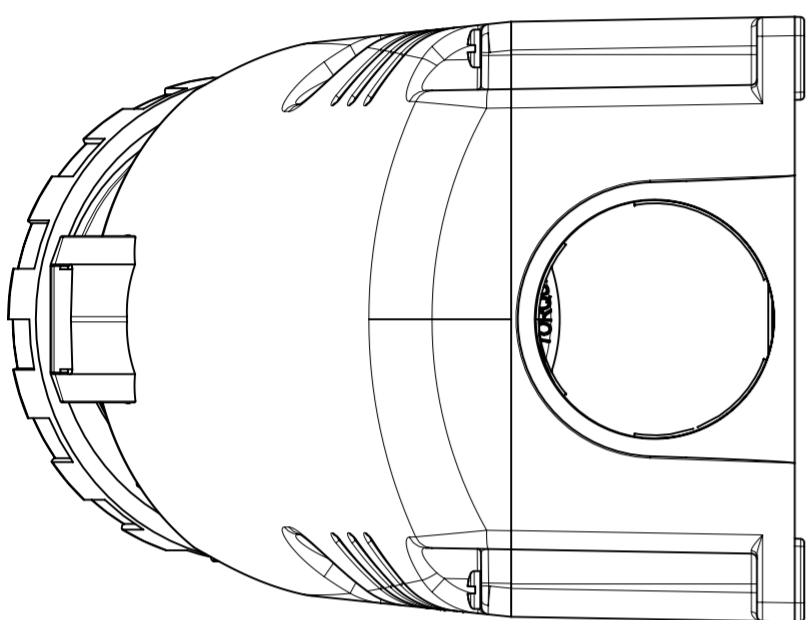


299



260

208



240

10

140

Ø7

SCAME
Via Costa Este, 16 Parma 43044-Italy
Made in Italy

<p>At the end of the law, we reserve the ownership of this design may not be copied and transfer it to third parties or competitors</p>				<p>Format A2</p>	<p>Scale 1:2</p>	<p>Mould N° 1000XXXX</p>	<p>Drawn</p>	<p>SCAME</p>
<p>Tolerances for linear and angular dimensions without indication of specific tolerances: JS13 / UNI Z86-1:2010</p>				<p>DESCRIPTION</p>	<p>DATE</p>	<p>APPROVED</p>	<p>DATE</p>	<p>SCAME</p>
<p>SCAME S.p.A. PARRE - (Bergamo)</p>				<p>PRESA PARETE 3P+N+T IP66/IP67 125A</p>	<p>CODE</p>	<p>SHEET</p>	<p>DATE</p>	<p>SCAME</p>
				<p>4004007</p>	<p>1 / 1</p>			