



Descriptions:

The enclosures of full plastic explosion-proof fluorescent (LED) light fittings are manufactured by glass fiber reinforced polyester and the transparent parts are manufactured by anti-ultraviolet polycarbonate. They have good protection ability from various chemical matters in factories or offshore platform because of high stability and mechanical strength. The material of the light fitting used can prevent from being corroded effectively. The sealing bars between the enclosure and transparent parts are compacted by the interlock device. The isolation switches are operated by the interlock devices. When the isolation switch is switched off, the covers can be opened.

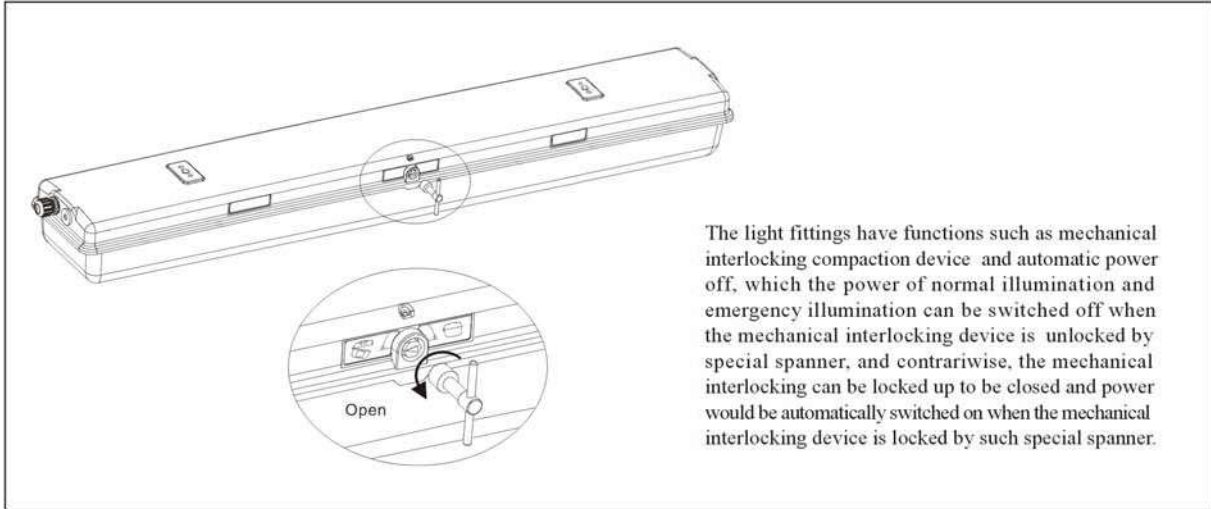
The special electronic ballast, light fitting lampholder, terminal, explosion-fuse, explosion-proof isolation switch and so on are built-in full plastic explosion-proof fluorescent light fittings. used for illuminating in the circuit of 220-240V AC, 50/60Hz.

"PHILIPS" LED lamp tube, light fitting lampholder, terminal, explosion-fuse, explosion-proof isolation switch and so on are built-in full plastic explosion-proof fluorescent light fittings. used for illuminating in the circuit of 100-240V AC, 50/60Hz.

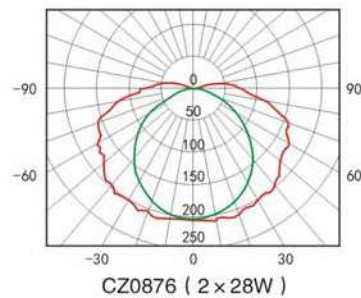
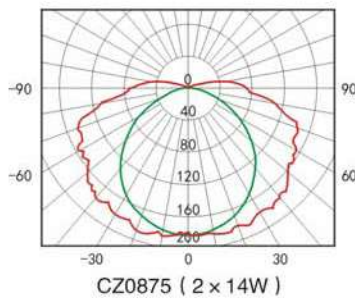
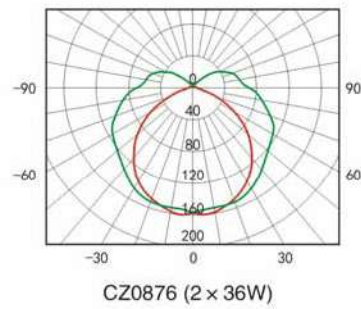
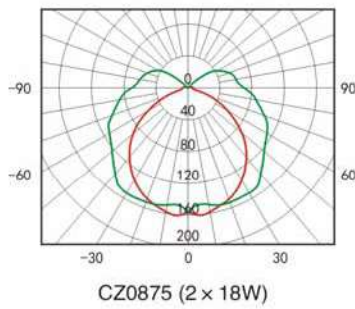
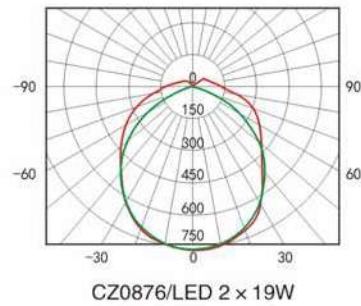
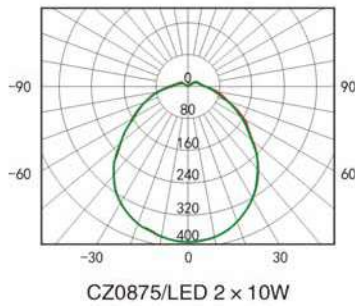
of high temperature resistance and so on are built-in full plastic explosion-proof emergency fluorescent light fittings. Automatically recharging while normal working, so that the light fittings will be turned on automatically when the power lose because of accident or power failure.

- ▶ Full plastic explosion-proof fluorescent (LED) light fittings mounting ways: Ceiling type, chain type, pendant type, wall type and clamp type.
- ▶ Full plastic explosion-proof fluorescent (LED) light fittings (pole mounting) mounting ways: Platform fence type, platform flange type, street lamp type.
- The structural design is never distortion and its protection degree is up to IP66;
- Equipped with the mechanical interlock device protection, explosion-proof isolation switch of II C class to enable the power off automatically when uncovered.
- International IECEx Approval, Europe union ATEX Approval.

• Diagram:



• Luminous intensity distribution curve: — C0/180
— C90/270
Luminous intensity unit: cd/1000 lm



Zone 2 Zone 21 and zone 22



● Main technical data:

Certification | Ex mark | Meet the standard

China (PCEC Ex)	Ex nA II C T4 Gc	DIP A21 TA, T6 (Product without fuse or switch fitted)	GB3836 GB12476
China (PCEC Ex)	Ex dmbnA II C T4 Gc	DIP A21 TA, T6 (Product with fuse and switch fitted)	GB3836 GB12476
IECEX	Ex nA II C T4 Gc	Ex t III C T80°C Db (Product without fuse or switch fitted)	IEC60079
IECEX	Ex dmbnA II C T4 Gc	Ex t III C T80°C Db (Product with fuse and switch fitted)	IEC60079
ATEX	Ⓔ II 3G Ex nA II C T4 Gc	II 2D Ex t III C T80°C Db (Product without fuse or switch fitted)	EN60079
ATEX	Ⓔ II 3G Ex dmbnA II C T4 Gc	II 2D Ex t III C T80°C Db (Product with fuse and switch fitted)	EN60079

Intended use: Can be used in zone 2, Can be used in zone 21 and zone 22

Ambient temperature: $-25^{\circ}\text{C} \leq T_a \leq 50^{\circ}\text{C}$

Degree of protection: IP66

Rated voltage: 220-240V AC 50/60Hz

Power factor: $\lambda > 0.95$

Energy efficiency index EEI=A2

Terminals: L, N, PE, Each terminal $2 \times 1.5-10\text{mm}^2$

Cable entry: Moulded plastic $1 \times M25 \times 1.5$ cable gland,

Outside diameter of cable: $\Phi 8-17\text{mm}$

Moulded plastic $2 \times M25 \times 1.5$ stopping plugs

● Order specifications:

Illustration	Lampholder code	Lamp tube	Power	Current	Weight	Order No.
	G5 Two pin lampholder	T5 Type	2 × 14W	max 0.16A	5.0kg	CZ0875 / 2 × 14W □□-B+□
			2 × 28W	max 0.33A	7.9kg	CZ0876 / 2 × 28W □□-B+□
	G13 Two pin lampholder	T8 Type	2 × 18W	max 0.2A	5.0kg	CZ0875 / 2 × 18W □□-B+□
			2 × 36W	max 0.39A	7.9kg	CZ0876 / 2 × 36W □□-B+□

K: Equipped with CZ0207 explosion-proof distance switch(no matching,not noted) ←
 F: equipped with CZ0804 explosion-proof fuse module(no matching,not noted) ←
 Code of cable gland ←
 Order No. of mounting accessories (No matching not noted), see page 129 ←

● Code of cable gland

Code	Specifications	Cable diameter
B	One moulded plastic $M25 \times 1.5$ cable gland, two moulded plastic $M25 \times 1.5$ stopping plugs	$\Phi 8-17\text{mm}$
C	One brass CZ0221/ $M25 \times 1.5$ metal cable gland, two moulded plastic $M25 \times 1.5$ stopping plugs	$\Phi 8-17\text{mm}$
D	Two moulded plastic $M25 \times 1.5$ cable glands, one moulded plastic $M25 \times 1.5$ stopping plug	$\Phi 8-17\text{mm}$
E	Two brass CZ0221/ $M25 \times 1.5$ metal cable glands, one moulded plastic $M25 \times 1.5$ stopping plug	$\Phi 8-17\text{mm}$
F	One brass CZ0227/ $M25 \times 1.5-G^{3/4}$ increasd safety metal cable gland, two moulded plastic $M25 \times 1.5$ stopping plugs	$\Phi 11-15\text{mm}$
G	Two brass CZ0227/ $M25 \times 1.5-G^{3/4}$ increasd safety metal cable glands, one moulded plastic $M25 \times 1.5$ stopping plug	$\Phi 11-15\text{mm}$
H	One brass CZ0226/ $M25 \times 1.5(G02)$ increasd safety metal cable gland (stopping boxes), two moulded plastic $M25 \times 1.5$ stopping plugs	$\Phi 11.5-16\text{mm}$
I	Two brass CZ0226/ $M25 \times 1.5(G02)$ increasd safety metal cable glands (stopping boxes), one moulded plastic $M25 \times 1.5$ stopping plug	$\Phi 11.5-16\text{mm}$



• Main technical data:

Certification | Ex mark | Meet the standard

China (PCEC Ex)	Ex nA II C T4 Gc DIP A21 TA, T6 (Product without fuse or switch fitted)	GB3836	GB12476
China (PCEC Ex)	Ex dmbnA II C T4 Gc DIP A21 TA, T6 (Product with fuse and switch fitted)	GB3836	GB12476

Intended use: Can be used in zone 2, Can be used in zone 21 and zone 22

Ambient temperature: $-25^{\circ}\text{C} \leq \text{Ta} \leq 50^{\circ}\text{C}$

Degree of protection: IP66

Rated voltage: 220-240V AC 50/60Hz

Power factor: $\lambda > 0.95$



Energy efficiency index EEI=A2

Terminals: L、N、 PE, Each terminal $2 \times 1.5-10\text{mm}^2$

Cable entry: Moulded plastic $1 \times \text{M}25 \times 1.5$ cable gland,

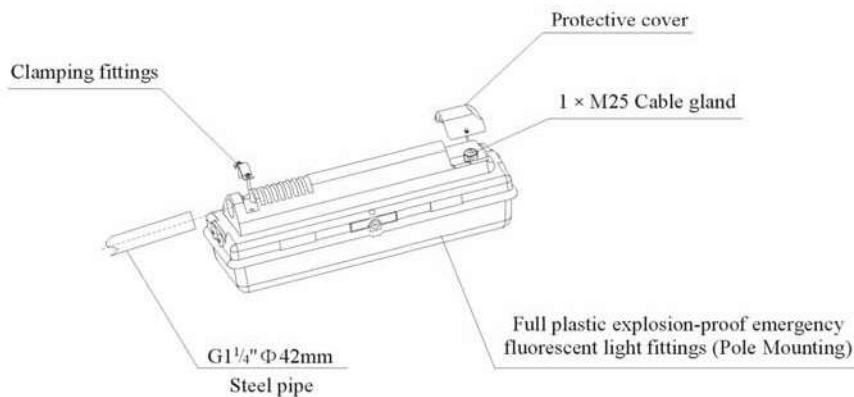
Outside diameter of cable: $\Phi 8-17\text{mm}$

• Order specifications:

Illustration	Light source code	Lamp tube	Power	Current	Weight	Order No.
	G5 Two-pin lampholder	T5 Type	2 × 14W	Max 0.16A	6.7kg	CZ0875 / 2 × 14W □□-PM+□
			2 × 28W	Max 0.33A	9.6kg	CZ0876 / 2 × 28W □□-PM+□
	G13 Two-pin lampholder	T8 Type	2 × 18W	Max 0.2A	6.7kg	CZ0875 / 2 × 18W □□-PM+□
			2 × 36W	Max 0.39A	9.6kg	CZ0876 / 2 × 36W □□-PM+□

K: Equipped with CZ0207 explosion-proof distance switch(no matching,not noted)
 F: equipped with CZ0804 explosion-proof fuse module(no matching,not noted)
 Order No. of mounting accessories (No matching not noted), see page 129

• Diagram:





- Main technical data:

Certification	Ex mark	Meet the standard
China (PCEC Ex)	Ex nA II C T4 Gc	DIP A21 TA, T6 (Product without fuse or switch fitted)
China (PCEC Ex)	Ex dmbnA II C T4 Gc	DIP A21 TA, T6 (Product with fuse and switch fitted)
IECEX	Ex nA II C T4 Gc	Ex t III C T80°C Db (Product without fuse or switch fitted)
IECEX	Ex dmbnA II C T4 Gc	Ex t III C T80°C Db (Product with fuse and switch fitted)
ATEX	Ⓔ II 3G Ex nA II C T4 Gc	II 2D Ex t III C T80°C Db (Product without fuse or switch fitted)
ATEX	Ⓔ II 3G Ex dmbnA II C T4 Gc	II 2D Ex t III C T80°C Db (Product with fuse and switch fitted)

Certification	Ex mark	Meet the standard
China (PCEC Ex)	Ex nA II C T4 Gc	DIP A21 TA, T6 (Product without fuse or switch fitted)
China (PCEC Ex)	Ex dmbnA II C T4 Gc	DIP A21 TA, T6 (Product with fuse and switch fitted)
IECEX	Ex nA II C T4 Gc	Ex t III C T80°C Db (Product without fuse or switch fitted)
IECEX	Ex dmbnA II C T4 Gc	Ex t III C T80°C Db (Product with fuse and switch fitted)
ATEX	Ⓔ II 3G Ex nA II C T4 Gc	II 2D Ex t III C T80°C Db (Product without fuse or switch fitted)
ATEX	Ⓔ II 3G Ex dmbnA II C T4 Gc	II 2D Ex t III C T80°C Db (Product with fuse and switch fitted)

Intended use: Can be used in zone 2, Can be used in zone 21 and zone 22

Ambient temperature: $-25^{\circ}\text{C} \leq T_a \leq 50^{\circ}\text{C}$

Degree of protection: IP66

Rated voltage: 100-240V AC 50-60Hz

Power: Max 25W

Color temperature: 6500K

Energy efficiency index EEI=A2


Terminals: L, N, PE. Each terminal $2 \times 1.5-10\text{mm}^2$

Cable entry: Moulded plastic $1 \times M25 \times 1.5$ cable gland,

Outside diameter of cable: $\Phi 8-17\text{mm}$

Moulded plastic $2 \times M25 \times 1.5$ stopping plugs

- Order specifications:

Illustration	Lampholder code	Lamp tube	Power	Current	Weight	Order No.
	G13 Two pin lampholder	T8 Type	2 × 10W	max 0.2A	5.0kg	CZ0875 / LED2 × 10W□□T-B+□
			2 × 19W	max 0.38A	7.9kg	CZ0876 / LED2 × 19W□□T-B+□

K: Equipped with CZ0207 explosion-proof distance switch(no matching,not noted)
 F: equipped with CZ0804 explosion-proof fuse module(no matching,not noted)
 "PLILIPS" LED tubes
 Code of cable gland
 Order No. of mounting accessories (No matching not noted), see page 129

- Code of cable gland

Code	Specifications	Cable diameter
B	One moulded plastic $M25 \times 1.5$ cable gland, two moulded plastic $M25 \times 1.5$ stopping plugs	$\Phi 8-17\text{mm}$
C	One brass CZ0221/ $M25 \times 1.5$ metal cable gland, two moulded plastic $M25 \times 1.5$ stopping plugs	$\Phi 8-17\text{mm}$
D	Two moulded plastic $M25 \times 1.5$ cable glands, one moulded plastic $M25 \times 1.5$ stopping plug	$\Phi 8-17\text{mm}$
E	Two brass CZ0221/ $M25 \times 1.5$ metal cable glands, one moulded plastic $M25 \times 1.5$ stopping plug	$\Phi 8-17\text{mm}$
F	One brass CZ0227/ $M25 \times 1.5-G^{3/4}$ increase safety metal cable gland, two moulded plastic $M25 \times 1.5$ stopping plugs	$\Phi 11-15\text{mm}$
G	Two brass CZ0227/ $M25 \times 1.5-G^{3/4}$ increase safety metal cable glands, one moulded plastic $M25 \times 1.5$ stopping plug	$\Phi 11-15\text{mm}$
H	One brass CZ0226/ $M25 \times 1.5(G02)$ increase safety metal cable gland (stopping boxes), two moulded plastic $M25 \times 1.5$ stopping plugs	$\Phi 11.5-16\text{mm}$
I	Two brass CZ0226/ $M25 \times 1.5(G02)$ increase safety metal cable glands (stopping boxes), one moulded plastic $M25 \times 1.5$ stopping plug	$\Phi 11.5-16\text{mm}$



• Main technical data:

Certification | Ex mark | Meet the standard

China (PCEC Ex)	Ex nA II C T4 Gc	DIP A21 TA, T6 (Product without fuse or switch fitted)	GB3836	GB12476
China (PCEC Ex)	Ex dmbnA II C T4 Gc	DIP A21 TA, T6 (Product with fuse and switch fitted)	GB3836	GB12476

Intended use: Can be used in zone 2, Can be used in zone 21 and zone 22

Ambient temperature: $-25^{\circ}\text{C} \leq \text{Ta} \leq 50^{\circ}\text{C}$

Degree of protection: IP66

Rated voltage: 100-240V AC 50-60Hz

Power: Max 25W

Color temperature: 6500K


Energy efficiency index EEI=A2

Terminals: L, N, PE, Each terminal $2 \times 1.5-10\text{mm}^2$

Cable entry: Moulded plastic $1 \times \text{M}25 \times 1.5$ cable gland,

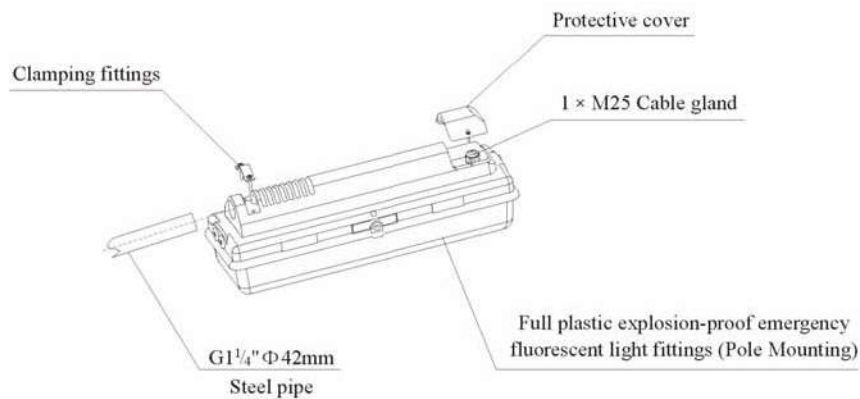
Outside diameter of cable: $\Phi 8-17\text{mm}$

• Order specifications:

Illustration	Lampholder code	Lamp tube	Power	Current	Weight	Order No.
	G13 Two pin lampholder	T8 Type	2 × 10W	max 0.2A	6.7kg	CZ0875 / LED2 × 10W <input type="checkbox"/> <input type="checkbox"/> T-PM+ <input type="checkbox"/>
			2 × 19W	max 0.38A	9.6kg	CZ0876 / LED2 × 19W <input type="checkbox"/> <input type="checkbox"/> T-PM+ <input type="checkbox"/>

K: Equipped with CZ0207 explosion-proof distance switch (no matching, not noted)
 F: equipped with CZ0804 explosion-proof fuse module (no matching, not noted)
 "PLILIPS" LED tubes
 Order No. of mounting accessories (No matching not noted), see page 129

• Diagram:



• Accessories of mounting:

Illustration	Descriptions	Unit	Order No.
Accessories for pendant type 		Set	D622
Accessories for chain type 		Set	D623
Accessories for clamp type M8 bolt mounting 		G1 1/4" Φ42mm Steel	Set J200
		G1 1/4" Φ42mm Stainless steel	Set J200/304
		G1 1/2" Φ48mm Steel	Set J300
		G1 1/2" Φ48mm Stainless steel	Set J300/304
		G2" Φ60mm Steel	Set J400
		G2" Φ60mm Stainless steel	Set J400/304
Support for ceiling type 		Steel	Set D621
		Stainless steel	Set D621/304
Adjustable mounting bracket 		Set	D8738
Mounting bracket of oil derrick 		Set	D8730/1
Lamp pole of wall type 	Used for CZ0875 fluorescent light fittings	Set	D8709/1A
	Used for CZ0876 fluorescent light fittings	Set	D8709/2A
Lamp pole of fence type 	Used for CZ0875 fluorescent light fittings	Set	D8710/1A
	Used for CZ0876 fluorescent light fittings	Set	D8710/2A
Lamp pole of flange type 	Used for CZ0875 fluorescent light fittings	Set	D8711/1A
	Used for CZ0876 fluorescent light fittings	Set	D8711/2A
Wall mounting bracket of pole type 		Use for pole mounting fluorescent light fittings	Set D8739
Lamp pole of fence type 	Use for pole mounting fluorescent light fittings	Set	D8740
Lamp pole of flange type 		Set	D8741
Lamp pole of fence type 		Set	D8705
Lamp pole of flange type 		Set	D8706
Mounting bracket 	Used for CZ0875 fluorescent light fittings	Set	D8742/1
	Used for CZ0876 fluorescent light fittings	Set	D8742/2

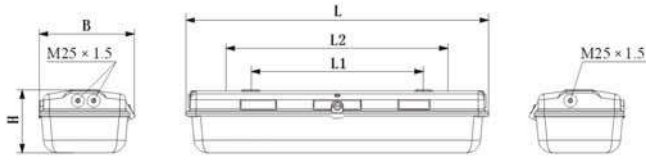


• Spare parts:

Illustration	Descriptions	Unit	Order No.
Earthing nut 	Metal earthing nut 2-M25 × 1.5	Set	D8714/2-M25
Explosion-proof fuse module 	Type of protection: Ex emb IIC Gb	0.2A	Piece CZ0804 / T0.2A
		0.4A	Piece CZ0804 / T0.4A
		0.8A	Piece CZ0804 / T0.8A
		5A	Piece CZ0804 / T5A
Explosion-proof isolation switch module 	Type of protection: Ex de IIC, Contact: 2NC (2NC)	Piece	CZ0207-1
With conductor terminal board 	3P terminal, Conductor 3 × 2.5mm ² , max16A, L1+N+PE	14W/18W	Set 305/21
		28W/36W	Set 305/22
	4P terminal, Conductor 3 × 2.5mm ² , max16A, L1+L2+N+PE	14W/18W	Set 305/31
		28W/36W	Set 305/32
Special lampholder 	G5 Cap base, used for T5 tube	Piece	G5-F288(E)
	G13 Cap base, used for T8 tube	Piece	G13-F266(F)
Electronic ballast module 	Power: 2 × 14W(28W), Used for T5 energy saving type fluorescent light fittings AC220-240V 50/60 Hz	Piece	PC 2 × 14-28 T5 TOP IP
	Power: 2 × 18W, Used for T8 energy saving type fluorescent light fittings AC220-240V 50/60 Hz	Piece	PC 2/18 T8 TOP
	Power: 2 × 36W, Used for T8 energy saving type fluorescent light fittings AC220-240V 50/60 Hz	Piece	PC 2/36 T8 TOP
“PLILIPS” LED tubes 	T8 10W LED Tube; G13 Cap base Voltage:AC100-240V, 50-60Hz; Luminous flux 825Lm Color rendering index 85; Color temperature 6500K; Lifetime 40000hours	Piece	MSTR TLED INT DRVR STD T8 10W 865 G13
	T8 19W LED Tube; G13 Cap base Voltage:AC100-240V, 50-60Hz; Luminous flux 1650Lm Color rendering index 85; Color temperature 6500K; Lifetime 40000hours	Piece	MSTR TLED INT DRVR STD T8 19W 865 G13
M8/SW13 Sleeve spanner 	Used for CZ0875、CZ0876, Material: Fine quality steel with galvanized surface	Set	D601

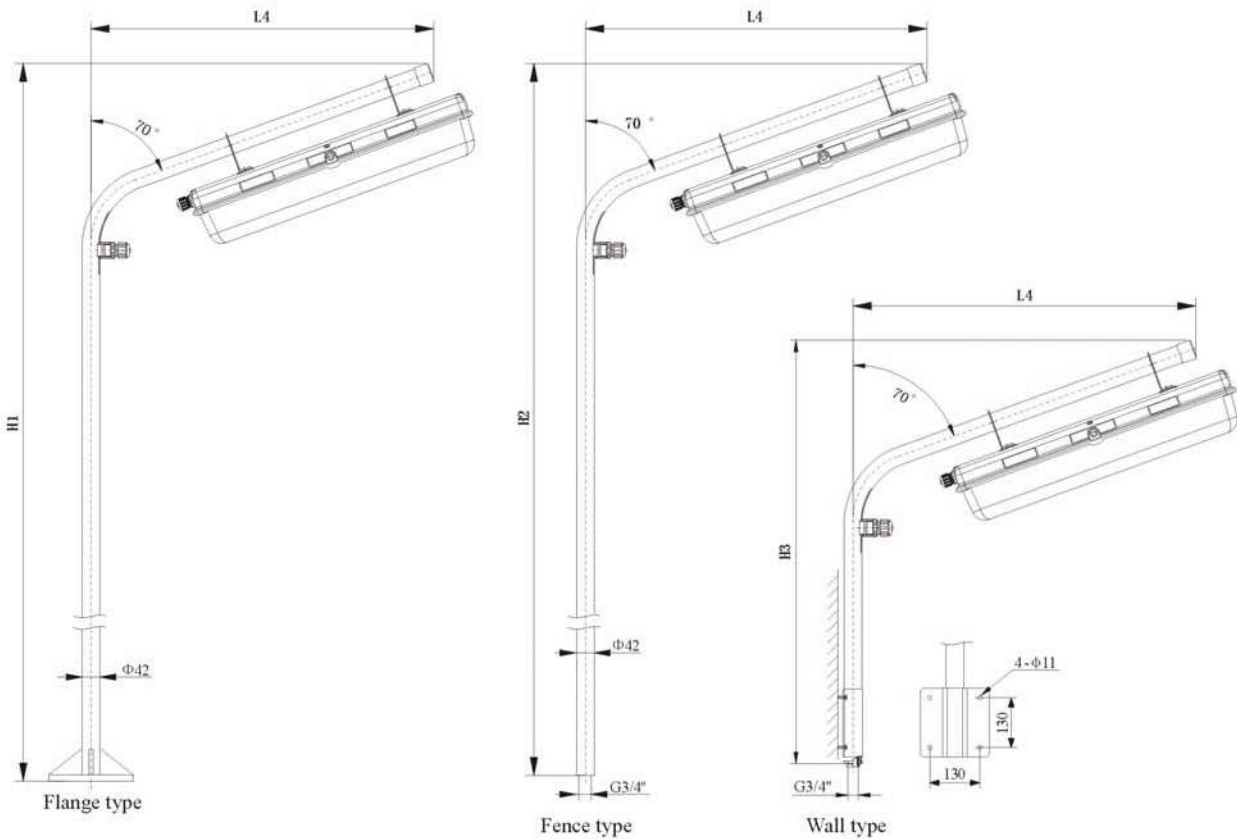
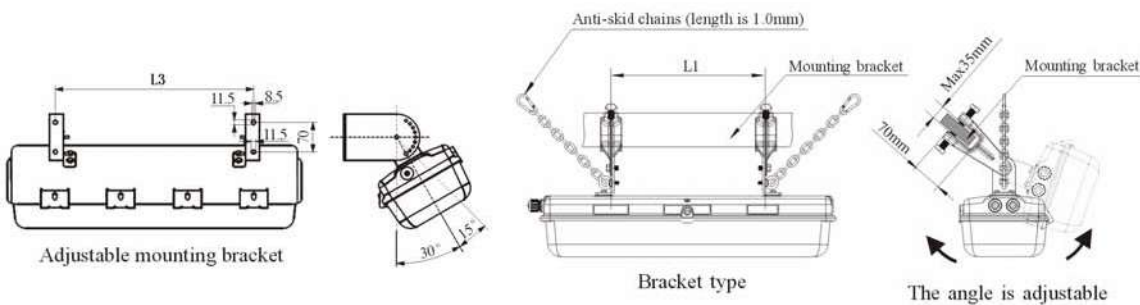
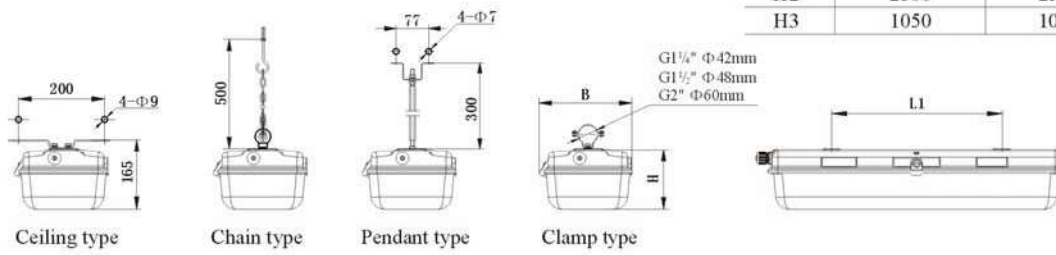


● Mounting ways and outline dimensions:



Full plastic explosion-proof fluorescent light fittings

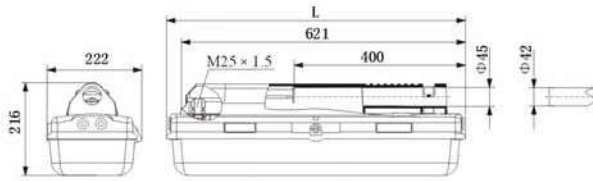
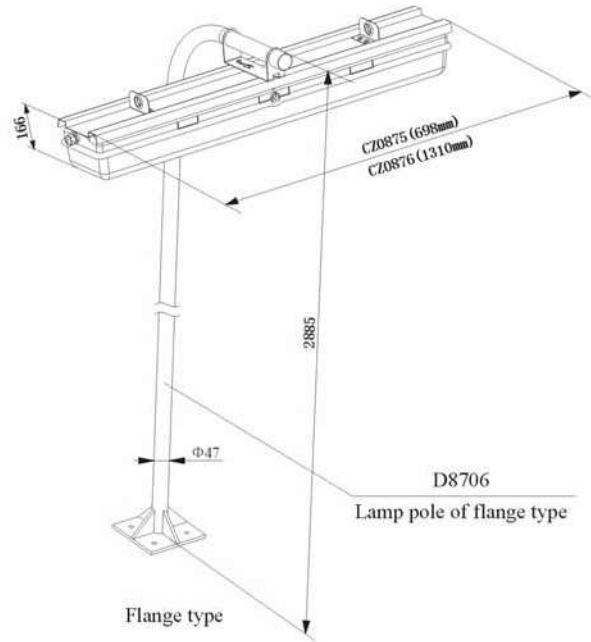
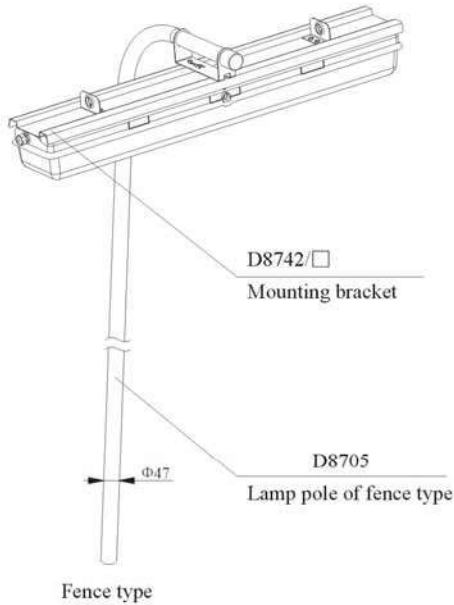
Type	CZ0875	CZ0876
	LED 2×10W 2×14W(18W)	LED 2×19W 2×28W(36W)
L	698	1310
L1	400	800
L2	550	1100
L3	470	870
L4	800	1300
B	222	222
H	145	145
H1	2510	2510
H2	2500	2500
H3	1050	1050



H



- Mounting ways and outline dimensions:



Full plastic explosion-proof LED light fittings (Pole Mounting)

Type	L	L1	L2	H1	H2
CZ0875/LED 2 × 10W CZ0875/2 × 14W(18W)	698	850	815	2635	2645
CZ0876/LED 2 × 19W CZ0876/2 × 28W(36W)	1310	1440	1405	2740	2750

