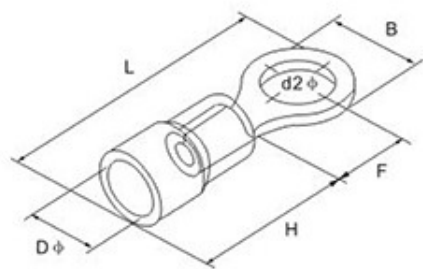


## 圆形预绝缘端头(TO-JTK型)

### INSULATED RING TERMINALS

注: 红绿黄兰白黑任意选购。



导线截面: 0.5~1.5mm<sup>2</sup>(美国线规22~16) 最大电流·Imax=19A

紫铜0.7mm

型号 ITEMNO	尺寸 DIMENSION							颜色 color
	美制螺 栓号	螺栓口直径 d2φ	B mm	L mm	F mm	H mm	Dφ mm	
RV 1.25-3	#4	3.2mm	5.7	17.8	4.95	10.0	4.3	红 red
RVS 1.25-3.5	#6	3.7mm	5.7	17.8	4.95			
RVM 1.25-3.5	#6	3.7mm	6.6	20.1	6.3			
RVL 1.25-3.5	#6	3.7mm	7.2	21.2	7.0			
RVS 1.25-4	#8	4.3mm	6.6	20.1	6.3			
RVL 1.25-4	#8	4.3mm	8.0	21.5	7.0			
RVS 1.25-5	#10	5.3mm	8.0	21.5	7.0			
RVL 1.25-5	#10	5.3mm	9.5	23.3	8.0			
RVLL 1.25-5	#10	5.3mm	11.6	27.5	11.1			
RVS1.25-6	1/4	6.5mm	9.5	23	8.0			
RV 1.25-6	1/4	6.5mm	11.6	27.5	11.1			
RV 1.25-8	5/16	8.4mm	11.6	27.5	11.1			
RVL 1.25-8	5/16	8.4mm	14.5	30.2	22.0			
RV 1.25-10	3/8	10.5mm	13.6	31.6	13.9			
RVL 1.25-10	3/8	10.5mm	19.2	35.0	16.0			
RV 1.25-12	1/2	13.0mm	19.2	35.0	16.0			

导线截面: 1.5~2.5mm<sup>2</sup>(美国线规16~14) 最大电流·Imax=27A

紫铜0.8mm

型号 ITEMNO	尺寸 DIMENSION							颜色 color
	美制螺 栓号	螺栓口直径 d2φ	B mm	L mm	F mm	H mm	Dφ mm	
RV 2-3	#4	3.2mm	6.6	17.8	4.3	10.0	4.9	兰 blue
RVS 2-3.5	#6	3.7mm	6.6	17.8	4.3			
RVM 2-3.5	#6	3.7mm	6.6	21.0	7.0			
RVL 2-3.5	#6	3.7mm	8.5	22.5	7.75			
RVS 2-4	#8	4.3mm	6.6	21.0	7.0			
RVL 2-4	#8	4.3mm	8.5	22.5	7.75			
RVS 2-5	#10	5.3mm	8.5	22.5	7.75			
RVL 2-5	#10	5.3mm	9.5	22.5	7.25			
RVS2-6	1/4	6.5mm	9.5	25.0	10.0			
RV 2-6	1/4	6.5mm	12.0	27.6	11.0			
RV 2-8	5/16	8.4mm	12.0	27.6	11.0			
RVL 2-8	5/16	8.4mm	14.5	30.2	22.0			
RV 2-10	3/8	10.5mm	13.6	30.2	13.9			
RVL 2-10	3/8	10.5mm	19.2	35.0	16.0			
RV 2-12	1/2	13.0mm	19.2	35.0	16.0			

导线截面: 2.5~4mm<sup>2</sup>(美国线规14~12) 最大电流·Imax=37A

紫铜1.0mm

型号 ITEMNO	尺寸 DIMENSION							颜色 color
	美制螺 栓号	螺栓口直径 d2φ	B mm	L mm	F mm	H mm	Dφ mm	
RV 3.5-4	#8	4.3mm	8.0	24.5	7.7	12.5	6.2	黑 black
RVS 3.5-5	#10	5.3mm	8.0	24.5	7.7			
RVM 3.5-5	#10	5.3mm	9.5	25.5	8.3			
RVL 3.5-5	#10	5.3mm	12.0	27.9	7.7			
RV 3.5-6	1/4	6.5mm	12.0	27.9	7.7			
RV 3.5-8	5/16	8.4mm	15.0	32.0	13.5			
RV 3.5-10	3/8	10.5mm	15.0	32.0	13.5			

导线截面: 4~6mm<sup>2</sup>(美国线规12~10) 最大电流·Imax=48A

紫铜1.0mm

型号 ITEMNO	尺寸 DIMENSION							颜色 color
	美制螺 栓号	螺栓口直径 d2φ	B mm	L mm	F mm	H mm	Dφ mm	
RV 5.5-3.5	#6	3.7mm	7.2	21.4	5.9	12.5	6.7	黄 yellow
RVS 5.5-4	#8	4.3mm	7.2	21.4	5.9			
RVL 5.5-4	#8	4.3mm	9.5	25.5	8.3			
RV 5.5-5	#10	5.3mm	9.5	25.5	8.3			
RV 5.5-6	1/4	6.5mm	12.0	30.0	11.0			
RV 5.5-8	5/16	8.4mm	15.0	33.7	13.7			
RV 5.5-10	3/8	10.5mm	15.0	33.7	13.7			
RV 5.5-12	1/2	13.0mm	19.2	38.1	16.0			

## 叉形预绝缘端头(TU-JTK型)

### INSULATED SPADE TERMINALS

注: 红绿黄兰白黑任意选购。



导线截面: 0.5~1.5mm<sup>2</sup>(美国线规22~16) 最大电流·I<sub>max</sub>=19A

紫铜0.7mm

型号 ITEMNO	尺寸DIMENSION							颜色 COLOR
	美制螺 栓号	螺栓口直径 d2	B mm	L mm	F mm	H mm	Dφ mm	
SV 1.25-3	#4	3.2mm	5.7	21.2	6.5	10.0	4.3	红 red
SVS 1.25-3.5	#6	3.7mm	5.7	21.2	6.5			
SVL 1.25-3.5	#6	3.7mm	6.4	21.2	6.5			
SVS 1.25-4	#8	4.3mm	6.4	21.2	6.5			
SVM 1.25-4	#8	4.3mm	7.2	21.2	6.5			
SVL 1.25-4	#8	4.3mm	8.1	21.2	6.5			
SVS 1.25-5	#10	5.3mm	8.1	21.2	6.5			
SVL 1.25-5	#10	5.3mm	9.5	21.2	6.5			
SVS 1.25-6	1/4	6.5mm	9.5	21.2	6.5			
SVL 1.25-6	1/4	6.5mm	12.0	27.2	11.0			
SV 1.25-8	5/16	8.5mm	14.0	29.0	12.5			

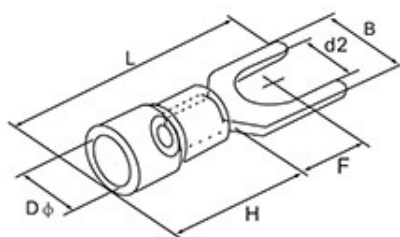
导线截面: 1.5~2.5mm<sup>2</sup>(美国线规16~14) 最大电流·I<sub>max</sub>=27A

紫铜0.8mm

型号 ITEMNO	尺寸DIMENSION							颜色 COLOR
	美制螺 栓号	螺栓口直径 d2	B mm	L mm	F mm	H mm	Dφ mm	
SV 2-3	#4	3.2mm	5.7	21.2	6.5	10.0	4.9	蓝 blue
SVS 2-3.5	#6	3.7mm	5.7	21.2	6.5			
SVL 2-3.5	#6	3.7mm	6.4	21.2	6.5			
SVS 2-4	#8	4.3mm	6.4	21.2	6.5			
SVM 2-4	#8	4.3mm	7.2	21.2	6.5			
SVL 2-4	#8	4.3mm	8.1	21.2	6.5			
SVS 2-5	#10	5.3mm	8.1	21.2	6.5			
SVL 2-5	#10	5.3mm	9.5	21.2	6.5			
SVS 2-6	1/4	6.5mm	9.5	21.2	6.5			
SVL 2-6	1/4	6.5mm	12.0	27.2	11.0			
SV 2-8	5/16	8.5mm	14.0	29.0	12.5			

导线截面: 2.5~4mm<sup>2</sup>(美国线规14~12) 最大电流·I<sub>max</sub>=37A

紫铜1.0mm



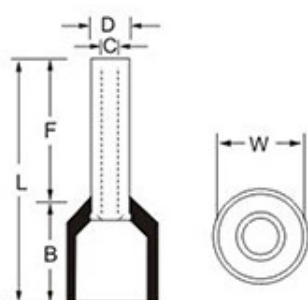
型号 ITEMNO	尺寸DIMENSION							颜色 COLOR
	美制螺 栓号	螺栓口直径 d2	B mm	L mm	F mm	H mm	Dφ mm	
SV 3.5-3	#4	3.2mm	5.7	24.8	7.0	12.5	6.2	黑 black
SV 3.5-4	#8	4.3mm	8.0	24.8	7.0			
SV 3.5-5	#10	5.3mm	8.0	24.8	7.0			
SV 3.5-6	1/4	6.5mm	12.0	28.0	12.1			

导线截面: 4~6mm<sup>2</sup>(美国线规12~10) 最大电流·I<sub>max</sub>=48A

紫铜1.0mm

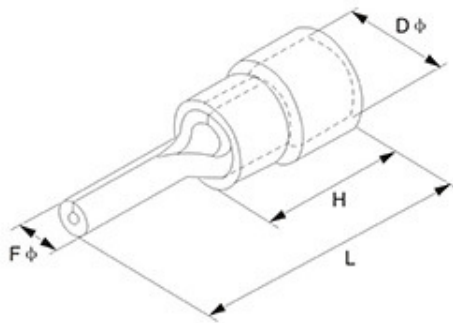
型号 ITEMNO	尺寸DIMENSION							颜色 COLOR
	美制螺 栓号	螺栓口直径 d2	B mm	L mm	F mm	H mm	Dφ mm	
SV 5.5-3.5	#6	3.7mm	8.3	25.2	7.5	12.5	6.7	黄 yellow
SVS 5.5-4	#8	4.3mm	8.3	25.2	7.5			
SVL 5.5-4	#8	4.3mm	9.0	25.2	7.5			
SV 5.5-5	#10	5.3mm	9.0	25.2	7.5			
SVS 5.5-6	1/4	6.5mm	9.0	25.2	7.5			
SVL -5.5-6	1/4	6.5mm	12.0	31.2	12.0			
SV 5.5-8	1/4	8.4mm	14.0	30.0	11.5			

> 管形预绝缘端头(VE型)  
INSULATED CORD END  
TERMINALS



电线范围 24 A.W.G 0.34mm <sup>2</sup>	型号	尺寸						法国颜色 德国颜色	使用压接 工具型号
		F	L	W	B	D	C		
24 A.W.G 0.34mm <sup>2</sup>	E0306	6.0	10.0	1.9	4.0	1.1	0.8		
	E0308	8.0	12.0						
22 A.W.G 0.5mm <sup>2</sup>	E0506	6.0	12.0	2.6	6.0	1.3	1.0	白色 橙色	使用0.5钳口
	E0508	8.0	14.0						
	E0510	10.0	16.0						
	E0512	12.0	18.0						
20 A.W.G 0.75mm <sup>2</sup>	E7506	6.0	12.3	2.8	6.3	1.5	1.2	蓝色 白色	使用0.75钳口
	E7508	8.0	14.3						
	E7510	10.0	16.3						
	E7512	12.0	18.3						
	E7518	18.0	24.3						
18 A.W.G 1.0mm <sup>2</sup>	E1006	6.0	12.3	3.0	6.3	1.7	1.4	红色 黄色	使用1.0钳口
	E1008	8.0	14.3						
	E1010	10.0	16.3						
	E1012	12.0	18.3						
	E1018	18.0	24.3						
16 A.W.G 1.5mm <sup>2</sup>	E1508	8.0	14.3	3.5	6.3	2.0	1.7	黑色 红色	使用1.5钳口
	E1510	10.0	16.3						
	E1512	12.0	18.3						
	E1515	15.0	21.3						
	E1518	18.0	24.3						
14 A.W.G 2.5mm <sup>2</sup>	E2508	8.0	15.4	4.0	7.4	2.6	2.3	灰色 蓝色	使用2.5钳口
	E2510	10.0	17.4						
	E2512	12.0	18.4						
	E2518	18.0	25.1						
	E2525	25.0	32.4						
12 A.W.G 4.0mm <sup>2</sup>	E4009	9.0	16.4	4.5	7.4	3.2	2.8	橙色 灰色	使用4.0钳口
	E4010	10.0	17.4						
	E4012	12.0	19.4						
	E4018	18.0	25.4						
10 A.W.G 6.0mm <sup>2</sup>	E6012	12.0	20.5	6.0	8.5	3.9	3.5	绿色 黑色	使用6.0钳口
	E6018	18.0	26.5						
8 A.W.G 10mm <sup>2</sup>	E10-12	12.0	22.0	7.5	8.8	4.9	4.5	棕色 乳白色	使用10钳口
	E10-18	18.0	26.0						
6 A.W.G 16mm <sup>2</sup>	E16-12	12.0	22.0	8.7	10.0	6.2	5.8	乳白色 绿色	使用16钳口
	E16-18	18.0	28.0						
4 A.W.G 25mm <sup>2</sup>	E25-15	15.0	27.0	11.0	12.0	7.9	7.5	黑色 棕色	
	E25-16	16.0	28.0						
	E25-18	18.0	30.0						
	E25-22	22.0	34.0						

➤ 针形预绝缘端头(TZ-JTK型)  
INSULATED PIN TERMINALS



导线截面:  $0.5 \sim 1.5\text{mm}^2$ (美国线规22~16) 最大电流 ·  $I_{\text{max}}=19\text{A}$  紫铜0.7mm

型号 ITEM NO	尺寸DIMENSION				颜色 color
	Fφ mm	L mm	H mm	Dφ mm	
PTV 1.25-9	1.9	19.0	10.0	4.3	红 Red
PTV 1.25-10	1.9	20.0			
PTV 1.25-12	1.9	22.0			
PTV 1.25-13	1.9	23.0			
PTV 1.25-18	1.9	28.0			

导线截面:  $1.5 \sim 2.5\text{mm}^2$ (美国线规16~14) 最大电流 ·  $I_{\text{max}}=27\text{A}$  紫铜0.8mm

型号 ITEM NO	尺寸DIMENSION				颜色 color
	Fφ mm	L mm	H mm	Dφ mm	
PTV 2-9	1.9	19.0	10.0	4.9	兰 Blue
PTV 2-10	1.9	20.0			
PTV 2-12	1.9	22.0			
PTV 2-13	1.9	23.0			
PTV 2-18	1.9	28.0			

导线截面:  $4 \sim 6\text{mm}^2$ (美国线规12~10) 最大电流 ·  $I_{\text{max}}=48\text{A}$  紫铜1.0mm

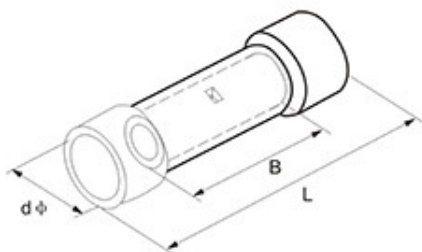
型号 ITEM NO	尺寸DIMENSION				颜色 color
	Fφ mm	L mm	H mm	Dφ mm	
PTV 3.5-12	2.8	24.5	12.5	6.2	黑 black
PTV 5.5-13	2.8	25.5	12.5	6.7	黄 Yellow
PTV 5.5-18	2.8	30.5			

材质：紫铜

**> 长形全绝缘中间接头(TL-JTK型)**  
INSULATED VINYL BUTT CONNECTORS



型号 ITEM NO	尺寸 DIMENSION					最大电流 I <sub>max</sub>	绝缘颜色 INSULATION color
	A、W、G	mm <sup>2</sup>	B mm	dφ mm	L mm		
BV0.75	22-18	0.5-1.0	15.0	1.7	25.5	19A	红 Red
BV 1.25	22-16	0.75-1.5	15.0	1.9	26.0	19A	红 Red
BV 2	16~14	1.5-2.5	15.0	2.3	26.0	27A	兰 Blue
BV 3.5	14-12	2.5-4	15.0	3.0	26.0	37A	黑 Black
BV 5.5	12-10	4-6	15.0	3.4	26.0	48A	黄 Yellow
BV 8	#8	6-10	21.0	4.5	35.0	62A	红 Red
BV 14	#6	10-16	26.0	5.8	42.0	88A	兰 Blue
BV 22	#4	16-25	29.0	7.7	50.0	115A	黄 Yellow



**> 短形全绝缘中间接头(TL-JTK型)**  
INSULATED PARALLEL CONNECTORS

型号 ITEM NO	尺寸 DIMENSION					最大电流 I <sub>max</sub>	绝缘颜色 Insulation Color
	A、W、G	mm <sup>2</sup>	B mm	dφ mm	L mm		
PVT 1.25	22-16	0.5-1.5	8.0	1.9	16.0	19A	红 Red
PVT 2	16-14	1.5-2.5	8.0	2.3	16.0	27A	兰 Blue
PVT 5.5	12-10	4-6	8.5	3.4	20.5	48A	黄 Yellow

**母预绝缘接头**  
INSULATED FEMALE DISCONNECTS

导线截面: 0.5~1.5mm<sup>2</sup>(美国线规22-16) 最大电流·Imax=10A 材质: 黄铜



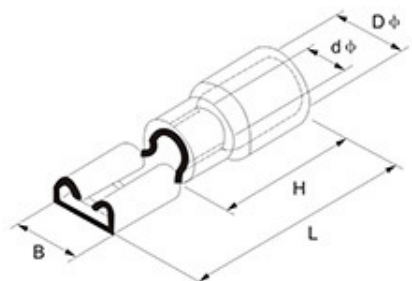
型号 ITEM NO	NAMETAB 接插规格	材料 厚度 Thickness of material	尺寸 DIMENSION				
			B	dφ	Dφ	L	H
			mm	mm	mm	mm	mm
FDD 1.25-110(5)	0.5×2.8	0.3	3.8	1.7	3.8	19.0	10.0
FDD 1.25-110(8)	0.8×2.8	0.3	3.8	1.7	3.8	19.0	
FDD 1.25-187(5)	0.5×4.75	0.35	5.6	1.7	3.8	19.0	
FDD 1.25-187(8)	0.8×4.75	0.35	5.6	1.7	3.8	19.0	
FDD 1.25-205	0.5×5.2	0.35	6.5	1.7	3.8	20.0	
FDD 1.25-250	0.8×6.35	0.4	7.4	1.7	3.8	21.0	

导线截面: 1.5~2.5mm<sup>2</sup>(美国线规16-14) 最大电流·Imax=15A



型号 ITEM NO	NAMETAB 接插规格	材料 厚度 Thickness of material	尺寸 DIMENSION				
			B	dφ	Dφ	L	H
			mm	mm	mm	mm	mm
FDD 2-110(5)	0.5×2.8	0.3	3.8	2.3	4.3	19.0	10.0
FDD 2-110(8)	0.8×2.8	0.3	3.8	2.3	4.3	19.0	
FDD 2-187(5)	0.5×4.75	0.35	5.6	2.3	4.3	19.0	
FDD 2-187(8)	0.8×4.75	0.35	5.6	2.3	4.3	19.0	
FDD 2-205	0.5×5.2	0.35	6.5	2.3	4.3	20.0	
FDD 2-250	0.8×6.35	0.4	7.4	2.3	4.3	21.0	
FDD 2-312	0.8×8.0	0.4	9.0	2.3	4.3	23.0	

导线截面: 4~6mm<sup>2</sup>(美国线规12-10) 最大电流·Imax=24A



型号 ITEM NO	NAMETAB 接插规格	材料 厚度 Thickness of material	尺寸 DIMENSION				
			B	dφ	Dφ	L	H
			mm	mm	mm	mm	mm
FDD 5.5-187	0.5×4.75	0.4	5.6	3.4	5.7	23.0	14.0
FDD 5.5-250	0.8×6.35	0.4	7.4	3.4	5.7	25.0	
FDD 5.5-312	0.8×8.0	0.5	9.0	3.4	5.7	27	
FDD 5.5-375	1.2×9.4	0.5	10.9	3.4	5.7	29.6	

**公预绝缘接头**  
INSULATED MALE DISCONNECTS

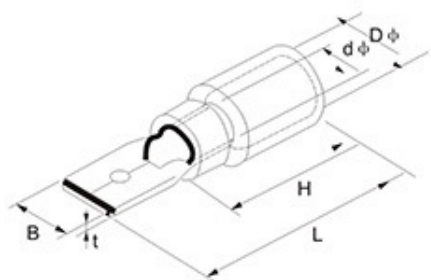


导线截面: 0.5~1.5mm<sup>2</sup>(美国线规22-16) 最大电流·Imax=10A 材质: 黄铜

型号 ITEM NO	NAMETAB 接插规格	材料 厚度 Thickness of material	尺寸 DIMENSION				
			B	dφ	Dφ	L	H
			mm	mm	mm	mm	mm
MDD 1.25-110(5)	0.5×2.8	0.5	2.8	1.70	4.3	17.7	10.0
MDD 1.25-110(8)	0.8×2.8	0.8	2.8	1.70	4.3	17.7	
MDD 1.25-187(5)	0.5×4.75	0.5	4.75	1.70	4.3	18.5	
MDD 1.25-187(8)	0.8×4.75	0.8	4.75	1.70	4.3	18.5	
MDD 1.25-250	0.8×6.3	0.4	6.3	1.70	4.3	21.0	

导线截面: 1.5~2.5mm<sup>2</sup>(美国线规16-14) 最大电流·Imax=15A

型号 ITEM NO	NAMETAB 接插规格	材料 厚度 Thickness of material	尺寸 DIMENSION				
			B	dφ	Dφ	L	H
			mm	mm	mm	mm	mm
MDD 2-110(5)	0.5×2.8	0.5	2.8	2.3	4.3	17.7	10.0
MDD 2-110(8)	0.8×2.8	0.8	2.8	2.3	4.3	17.7	
MDD 2-187(5)	0.5×4.75	0.5	4.75	2.3	4.3	18.5	
MDD 2-187(8)	0.8×4.75	0.8	4.75	2.3	4.3	18.5	
MDD 2-250	0.8×6.35	0.4	6.35	2.3	4.3	21.0	



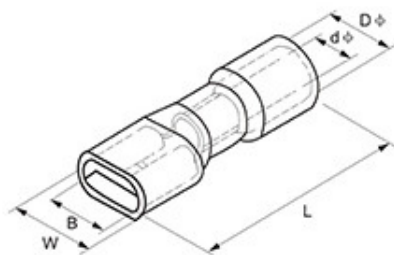
导线截面: 4~6mm<sup>2</sup>(美国线规12-10) 最大电流·Imax=24A

型号 ITEM NO	NAMETAB 接插规格	材料 厚度 Thickness of material	尺寸 DIMENSION				
			B	dφ	Dφ	L	H
			mm	mm	mm	mm	mm
MDD 5.5-187	0.5×4.75	0.5	4.75	3.4	5.7	23.0	14.0
MDD 5.5-250	0.8×6.3	0.4	6.3	3.4	5.7	25.0	



## 母全绝缘接头

FULLY VINYL INSULATED  
DISCONNECTS



导线截面: 0.5~1.5mm<sup>2</sup>(美国线规22-16) 最大电流·Imax=10A

型号 ITEM NO	NAMETAB 接插规格 mm	尺寸 DIMENSION				
		W mm	B mm	D φ mm	d φ mm	L mm
FDFD 1.25-110(5)	0.5×2.8	6.2	3.2	4.0	1.7	19.0
FDFD 1.25-187(5)	0.5×4.75	7.8	5.0	4.0	1.7	20.0
FDFD 1.25-187(8)	0.8×4.75	7.8	5.0	4.0	1.7	20.0
FDFD 1.25-250	0.8×6.3	9.3	6.6	4.0	1.7	22.5

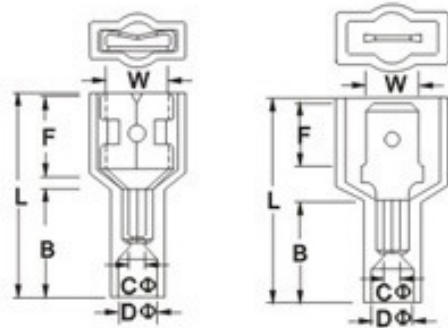
导线截面: 1.5~2.5mm<sup>2</sup>(美国线规16-14) 最大电流·Imax=15A

型号 ITEM NO	NAMETAB 接插规格 mm	尺寸 DIMENSION				
		W mm	B mm	D φ mm	d φ mm	L mm
FDFD 2-110(5)	0.5×2.8	6.2	3.2	4.5	2.3	19.0
FDFD 2-187(5)	0.5×4.75	7.8	5.0	4.5	2.3	20.0
FDFD 2-187(8)	0.8×4.75	7.8	5.0	4.5	2.3	20.0
FDFD 2-250	0.8×6.3	9.3	6.6	4.5	2.3	23.0

导线截面: 4~6mm<sup>2</sup>(美国线规12-10) 最大电流·Imax=24A

型号 ITEM NO	NAMETAB 接插规格 mm	尺寸 DIMENSION				
		W mm	B mm	D φ mm	d φ mm	L mm
FDFD 5.5-187(5)	0.5×4.8	7.8	5.0	5.7	3.4	23.0
FDFD 5.5-250	0.8×6.3	9.3	6.6	5.7	3.4	23.0
FDFD 5.5-375	1.2×9.4	13.0	10.9	5.7	3.4	30.0





1

2

ITEM NO	NAMETAB	DIMENSION						A.W.G mm	COLOR
		W	F	L	B	Dφ	Cφ		
FDFA 1.25-187	0.5×4.75	5.1	5.9	21.8	9.9	3.7		1	
FDFA 1.25-250	0.8×6.3	6.6	8.8	21.3	10.2	3.9	1.7	2	22-16
MDFNA 1.25-250		6.35	10.0	22.4					0.5-1.5
FDFA 2-250	0.8×6.3	6.6	8.8	22.2	10.5	4.4	2.3	1	16-14
MDFNA 2-50		6.35	10.0	22.4					1.5-2.5

Max current; 10A material; copper insulating; nylon

ITEM NO	connecting spec.	Dimension(mm)							diagram	cable size (mm <sup>2</sup> )	color
		W	F	L	B	D	C	T			
FDFA 1.25-250	0.8×6.35	6.6	7.3	22.0	12.0	4.0	1.7	0.45	1	22-16 A.W.G	red
MDFNA 1.25-250		6.35	7.7	23.0	11.0	4.0	1.7	0.8	2	0.5-1.5 mm <sup>2</sup>	

Max current; 15A material; copper insulating; nylon

ITEM NO	connecting spec.	Dimension(mm)							diagram	cable size (mm <sup>2</sup> )	color
		W	F	L	B	D	C	T			
FDFA 2-250	0.8×6.35	6.6	7.3	23.0	12.0	4.5	2.3	0.45	1	16-14 A.W.G	blue
MDFNA 2-250		6.35	7.7	24.0	11.0	4.5	2.3	0.8	2	0.5-2.5 mm <sup>2</sup>	

Max current; 24A material; copper insulating; nylon

ITEM NO	connecting spec.	尺寸 Dimension(mm)							diagram	cable size (mm <sup>2</sup> )	color
		W	F	L	B	D	C	T			
FDFA 5.5-250	0.8×6.35	6.6	7.3	23.0	12.0	5.0	3.4	0.45	1	12-10 A.W.G	yellow
MDFNA 5.5-250		6.35	7.7	24.0	11.0	5.0	3.4	0.8	2	4-6 mm <sup>2</sup>	



ELECTRONIC TECHNOLOGY SYSTEMS  
DR. GENZ GMBH

COMPETENT BODY ACCREDITED TEST HOUSE

# CERTIFICATE OF CONFORMITY

EU EMC - DIRECTIVE 89/336/EEC -

This certifies that the following designated product

**TERMINAL**  
**MODEL NO. :E**

.....  
(Product identification)

complies with the essential protection requirements of Council Directive 89/336/EEC on the approximation of the laws of the Member States relating to electromagnetic compatibility.

This certificate is awarded following tests carried out on samples of the product referred to above.

Assessment of compliance of the product with the requirements relating to electromagnetic compatibility was based on the following standards :

**EN 60947 – 1 : 1999 + A2 : 2001**

.....  
(Identification of regulations / standards)

This certificate is issued for

**YUEQING KISE TERMINAL CO., LTD**  
**NO. 8 TENGFEI ROAD LIUSHI TOWN,**  
**YUEQING,ZHEJIANG, CHINA**

.....  
(Name / Address)

THE CERTIFICATION IS VALID ONLY IN ACCORDANCE WITH THE TEST REPORT NR. G4M20407-2239-E-16  
THE CONFIRMATION IS VALID ONLY IF THE PRODUCT IS MANUFACTURED IN ACCORDANCE WITH THE TESTREPORT

GS LVD E/e-MARK FCC GSM UMTS CE-MARK SAR RADIO CB EMC DECT WLAN 3G Bluetooth R&TTE



This is the result of tests carried out on those samples of the product referred to above which were submitted for testing, in accordance with the specification for the respective standards. The certificate holder has the right to fix the ETS-MARK which shows the EMC segment onto each individual product in the series to which the inspection sample belongs, provided that the product is manufactured in accordance with the test report.



August 13, 2004

.....  
(Date)

*Dr. Genz*

.....  
Dr. Genz

ELECTRONIC TECHNOLOGY SYSTEMS DR. GENZ GMBH

STORKOWER STRASSE 38C, D-15526 REICHENWALDE B. BERLIN, GERMANY, PHONE +49-33631-888 00 FAX +49-33631-888 660



ELECTRONIC TECHNOLOGY SYSTEMS  
DR. GENZ GMBH

COMPETENT BODY ACCREDITED TEST HOUSE

# CERTIFICATE OF CONFORMITY

EU EMC - DIRECTIVE 89/336/EEC -

This certifies that the following designated product

**TERMINAL**  
**MODEL NO. : RV**

.....  
(Product identification)

complies with the essential protection requirements of Council Directive 89/336/EEC on the approximation of the laws of the Member States relating to electromagnetic compatibility.

This certificate is awarded following tests carried out on samples of the product referred to above. Assessment of compliance of the product with the requirements relating to electromagnetic compatibility was based on the following standards :

**EN 60947 – 1 : 1999 + A2 : 2001**

.....  
(Identification of regulations / standards)

This certificate is issued for  
**YUEQING KISE TERMINAL CO., LTD**  
**NO. 8 TENGFEI ROAD LIUSHI TOWN,**  
**YUEQING,ZHEJIANG, CHINA**

.....  
(Name / Address)

THE CERTIFICATION IS VALID ONLY IN ACCORDANCE WITH THE TEST REPORT NR. G4M20407-2239-E-16  
THE CONFIRMATION IS VALID ONLY IF THE PRODUCT IS MANUFACTURED IN ACCORDANCE WITH THE TESTREPORT

GS LVD E/e-MARK FCC GSM UMTS CE-MARK SAR RADIO CB EMC DECT WLAN 3G Bluetooth R&TTE



This is the result of tests carried out on those samples of the product referred to above which were submitted for testing, in accordance with the specification for the respective standards. The certificate holder has the right to fix the ETS-MARK which shows the EMC segment onto each individual product in the series to which the inspection sample belongs, provided that the product is manufactured in accordance with the test report.



August 13, 2004

.....  
(Date)

*Dr. Genz*

.....  
Dr. Genz

ELECTRONIC TECHNOLOGY SYSTEMS DR. GENZ GMBH

STORKOWER STRASSE 38C, D-15526 REICHENWALDE B. BERLIN, GERMANY, PHONE +49-33631-888 00 FAX +49-33631-888 660