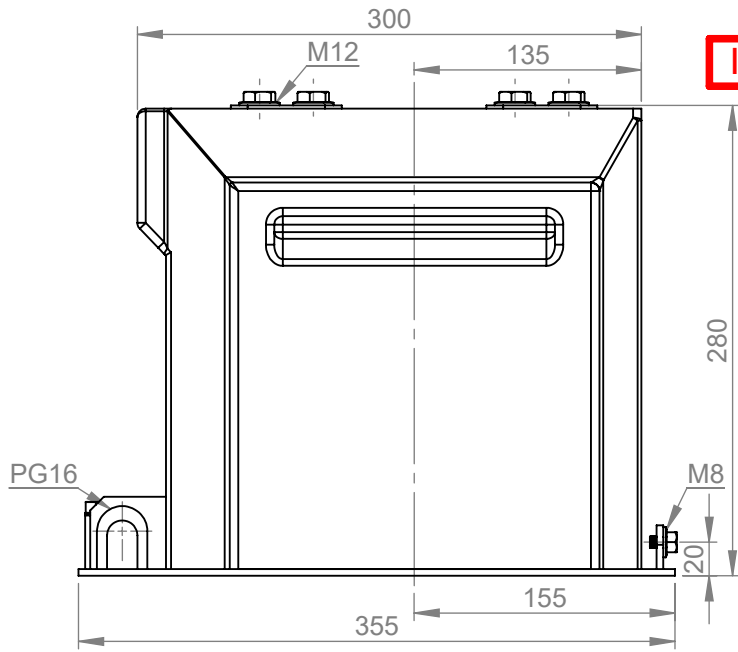
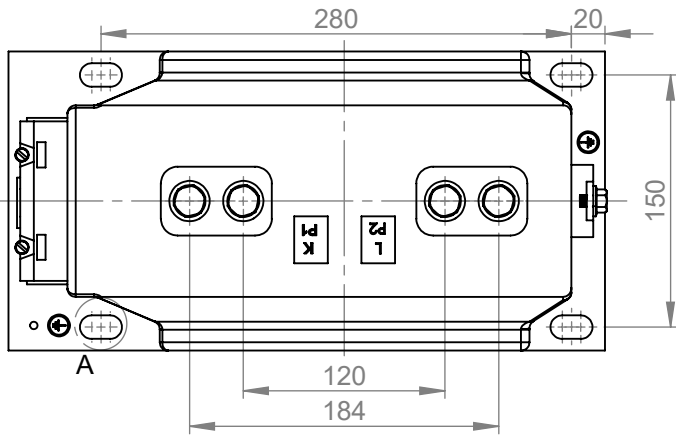
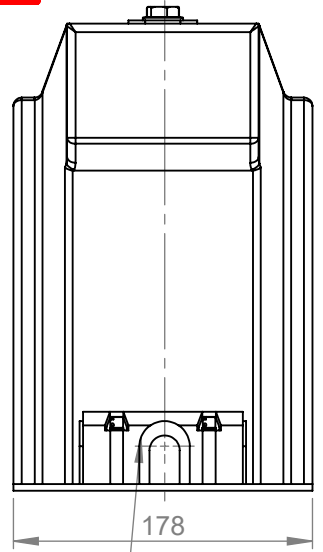


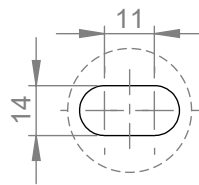
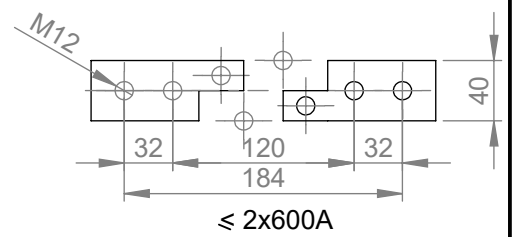
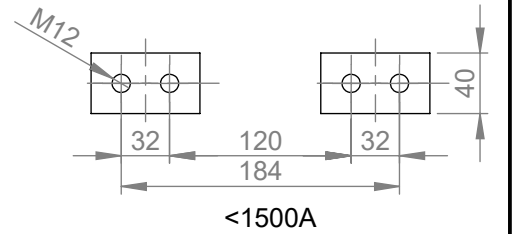
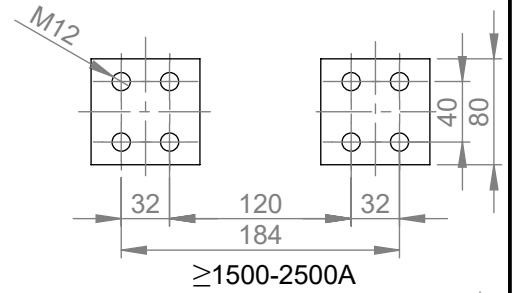
REV 1	M8 earthing terminal has been revised.	01/07/2011
REV 2		
REV 3		



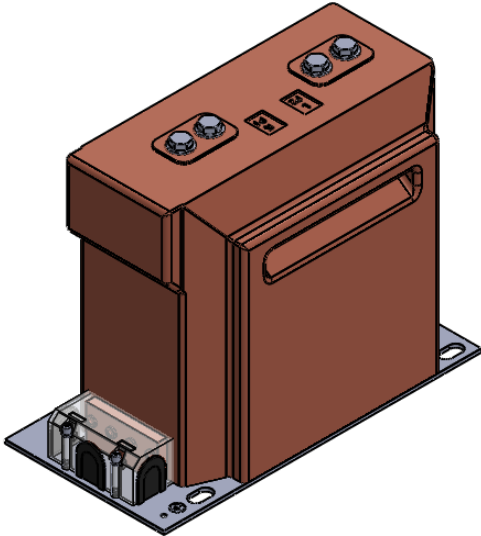
**INFORMATION**



Secondary Terminals M5



A-DETAIL  
SCALE 3:1



TIGHTENING TORQUE (Nm)	Min.	Max.
M5 (Secondary Terminal)	2.5	3.5
M8 (Ground Terminal)	15	20
M12 (Primary Terminal)	60	70

NOTE: All dimensions are in mm.  
Secondary terminals are at P1 (at P2 according to request).  
Small deviations in dimensions and construction possible.

UNIT	PARTNAME	ITEM	MTRL.DIMEN.	MTRL.COD.	DRAWING NO.	CAST RESIN MTRL.TYPE
REV.	DRW.BY	DATE	NAME	SIGNATURE		
TOLERANCE DIN 7168-g	CONTROL	DATE	NAME	SIGNATURE		
SCALE	PREPARED BY		CHECK BY			
<b>ATB 20-BS CURRENT TRANSFORMER</b>					RAW.MTRL.CODE	ALT SAC 3935
					SEMI FINISHED MTRL.	
					<b>5383-00</b>	

COPYRIGHT © ESİTAŞ A.Ş.  
 Esitas reserves the right to change the  
 specifications and the dimensions of the goods.