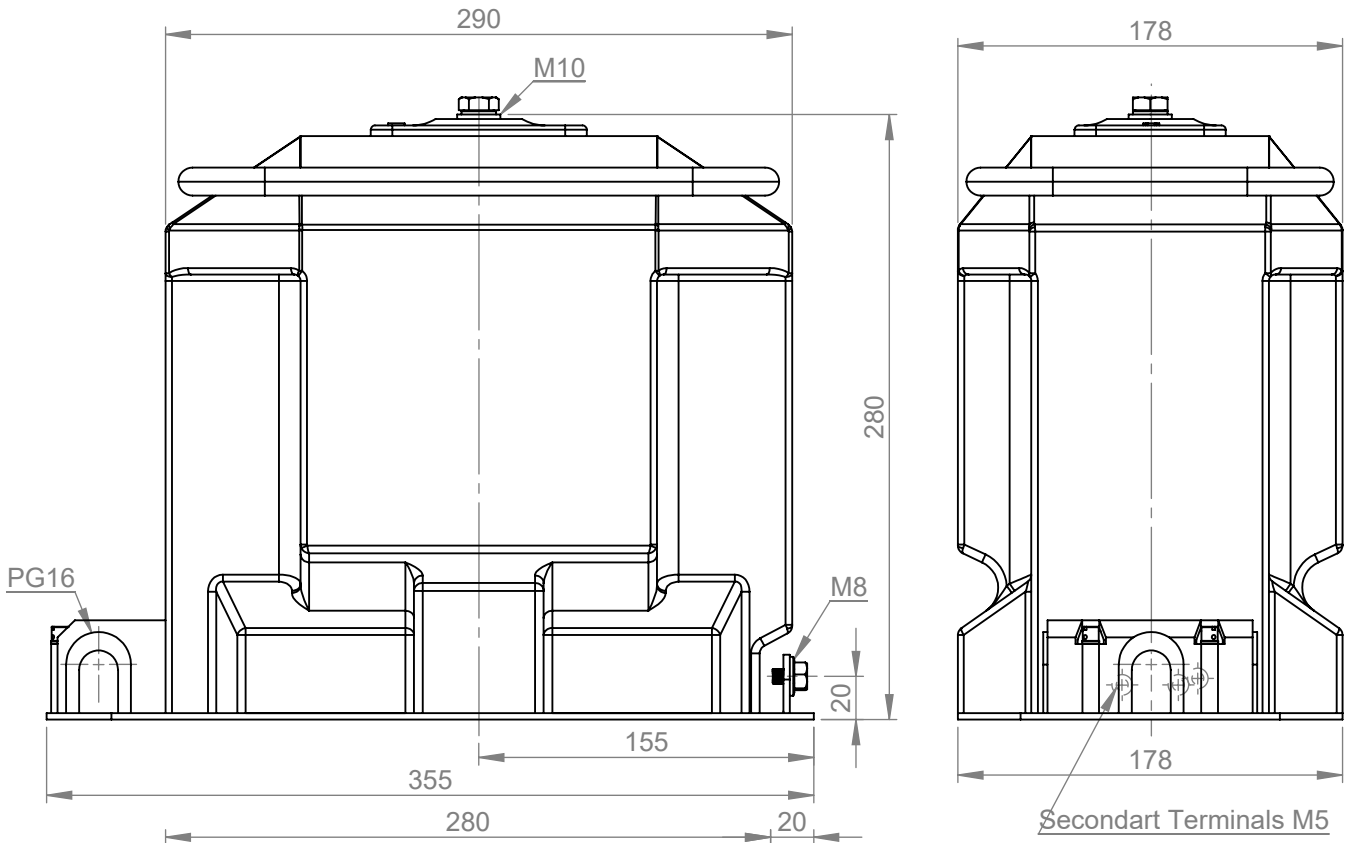
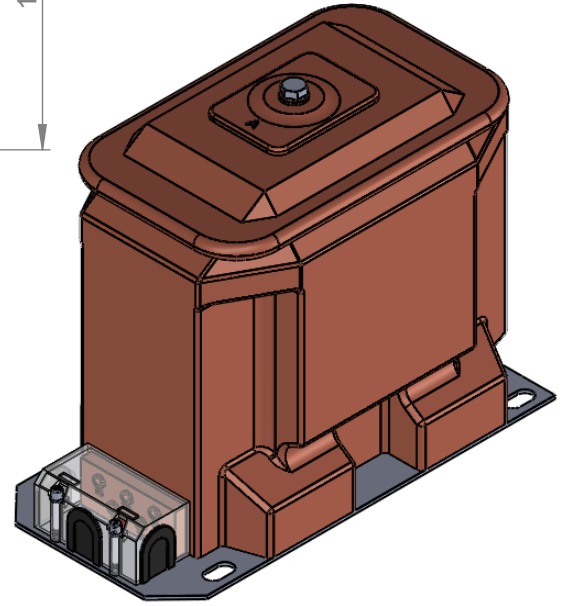
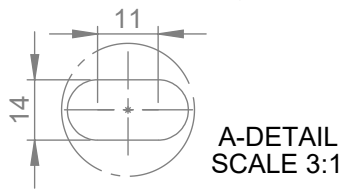
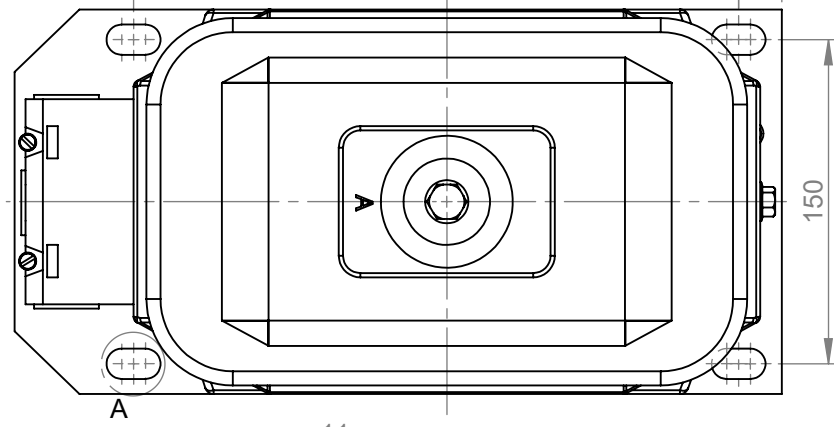


REV 1	The drawing has been revised.	20/06/2011
REV 2		
REV 3		

COPYRIGHT © ESİTAS A.Ş.
 Esitas reserves the right to change the specifications and the dimensions of the goods.




INFORMATION



TIGHTENING TORQUE (Nm)	Min.	Max.
M5 (Secondary Terminal)	2.5	3.5
M8 (Ground Terminal)	15	20
M10 (Primary Terminal)	30	40

Note: All dimensions are in mm.
Small deviations in dimensions and construction possible.

UNIT	PARTNAME	ITEM	MTRL.DIMEN.	MTRL.COD.	DRAWING NO.	CAST RESIN MTRL.TYPE
REV.	DRW.BY	DATE	NAME	SIGNATURE	 ESİTAS Instrument Transformers	
TOLERANCE	CONTROL	DATE	NAME	SIGNATURE		
DIN 7168-g	PREPARED BY		CHECK BY			
SCALE	VTB 20-K VOLTAGE TRANSFORMER					
						ALT SAC 3934 5382-00