

NO	TİP	ID	OD	H	K	O	A	B	C
1	KAP-40/190-35	40	190	241	35	119	150	130	-
2	KAP-40/190-55	40	190	241	55	119	150	130	25
3	KAP-40/190-95	40	190	241	95	119	150	130	40
4	KAP-40/190-115	40	190	241	115	119	170	150	40
5	KAP-60/190-35	60	190	241	35	119	150	130	-
6	KAP-60/190-55	60	190	241	55	119	150	130	25
7	KAP-60/190-95	60	190	241	95	119	150	130	40
8	KAP-60/190-115	60	190	241	115	119	170	150	40
9	KAP-80/190-35	80	190	241	35	119	150	130	-
10	KAP-80/190-55	80	190	241	55	119	150	130	25
11	KAP-80/190-95	80	190	241	95	119	150	130	40
12	KAP-80/190-115	80	190	241	115	119	170	150	40

NO	TİP	ID	OD	H	K	O	A	B	C
25	KAP-40/250-35	40	250	301	35	149	150	130	-
26	KAP-40/250-55	40	250	301	55	149	150	130	25
27	KAP-40/250-95	40	250	301	95	149	150	130	40
28	KAP-40/250-115	40	250	301	115	149	170	150	40
29	KAP-60/250-35	60	250	301	35	149	150	130	-
30	KAP-60/250-55	60	250	301	55	149	150	130	25
31	KAP-60/250-95	60	250	301	95	149	150	130	40
32	KAP-60/250-115	60	250	301	115	149	170	150	40
33	KAP-80/250-35	80	250	301	35	149	150	130	-
34	KAP-80/250-55	80	250	301	55	149	150	130	25
35	KAP-80/250-95	80	250	301	95	149	150	130	40
36	KAP-80/250-115	80	250	301	115	149	170	150	40

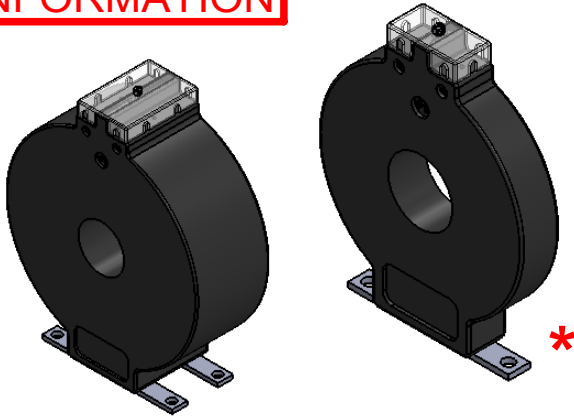
NO	TİP	ID	OD	H	K	O	A	B	C
13	KAP-40/210-35	40	210	261	35	129	150	130	-
14	KAP-40/210-55	40	210	261	55	129	150	130	25
15	KAP-40/210-95	40	210	261	95	129	150	130	40
16	KAP-40/210-115	40	210	261	115	129	170	150	40
17	KAP-60/210-35	60	210	261	35	129	150	130	-
18	KAP-60/210-55	60	210	261	55	129	150	130	25
19	KAP-60/210-95	60	210	261	95	129	150	130	40
20	KAP-60/210-115	60	210	261	115	129	170	150	40
21	KAP-80/210-35	80	210	261	35	129	150	130	-
22	KAP-80/210-55	80	210	261	55	129	150	130	25
23	KAP-80/210-95	80	210	261	95	129	150	130	40
24	KAP-80/210-115	80	210	261	115	129	170	150	40

NO	TİP	ID	OD	H	K	O	A	B	C
37	KAP-100/250-35	100	250	301	35	149	150	130	-
38	KAP-100/250-55	100	250	301	55	149	150	130	25
39	KAP-100/250-95	100	250	301	95	149	150	130	40
40	KAP-100/250-115	100	250	301	115	149	170	150	40
41	KAP-120/250-55	120	250	301	55	149	150	130	25
42	KAP-120/250-95	120	250	301	95	149	150	130	40
43	KAP-120/250-115	120	250	301	115	149	170	150	40
44	KAP-150/250-55	150	250	301	55	149	150	130	25
45	KAP-150/250-95	150	250	301	95	149	150	130	40
46	KAP-150/250-115	150	250	301	115	149	170	150	40

47	KAP-100/190-55	100	190	241	55	119	150	130	25
48	KAP-100/190-95	100	190	241	95	119	150	130	40
49	KAP-100/190-115	100	190	241	115	119	170	150	40

50	KAP-170/250-55	170	250	301	55	149	150	130	25
51	KAP-170/250-95	170	250	301	95	149	150	130	40
52	KAP-170/250-115	170	250	301	115	149	170	150	40

**INFORMATION**



**Attention : Ambient temperature max.45°C**

\*Attention : Transformers which have 35mm height ( K )  
There is only one connection plate.

\*Dikkat : Eni ( K ) 35mm Olan Trafolarıda ; 1 Adet Ayak Olacaktır.

NOTE: All dimensions are in mm.  
Small deviations in dimensions and construction possible.

REV 1	Ambient temperature has been added.	21/02/2014
REV 2		
REV 3		

UNIT	PARTNAME	ITEM	MTRL.DIMEN.	MTRL.CODE	DRAWING NO.	CAST RESIN
REV.	DRW.BY	DATE	NAME	SIGNATURE		
TOLERANCE	CONTROL	21/02/2014	M.AKSU			
	PREPARED BY		T.DEMİRCAN			
	CHECK BY					
SCALE	KAP TYPE ( With Horizontal Mounted Plates ) CURRENT TRANSFORMER				RAW.MTRL.CODE	
					SEMI FINISHED MTRL.	
						5089-00