



418.63666

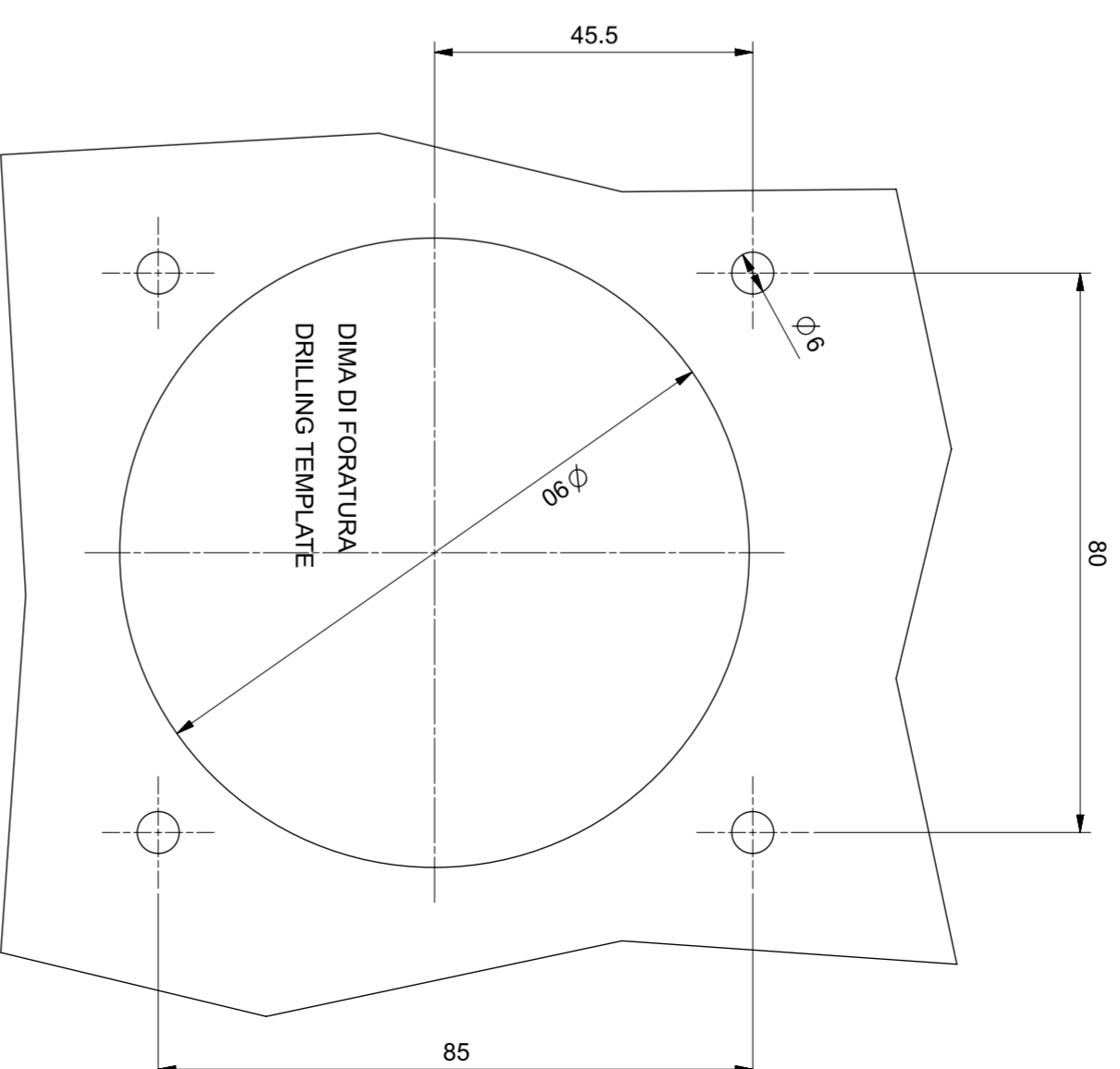
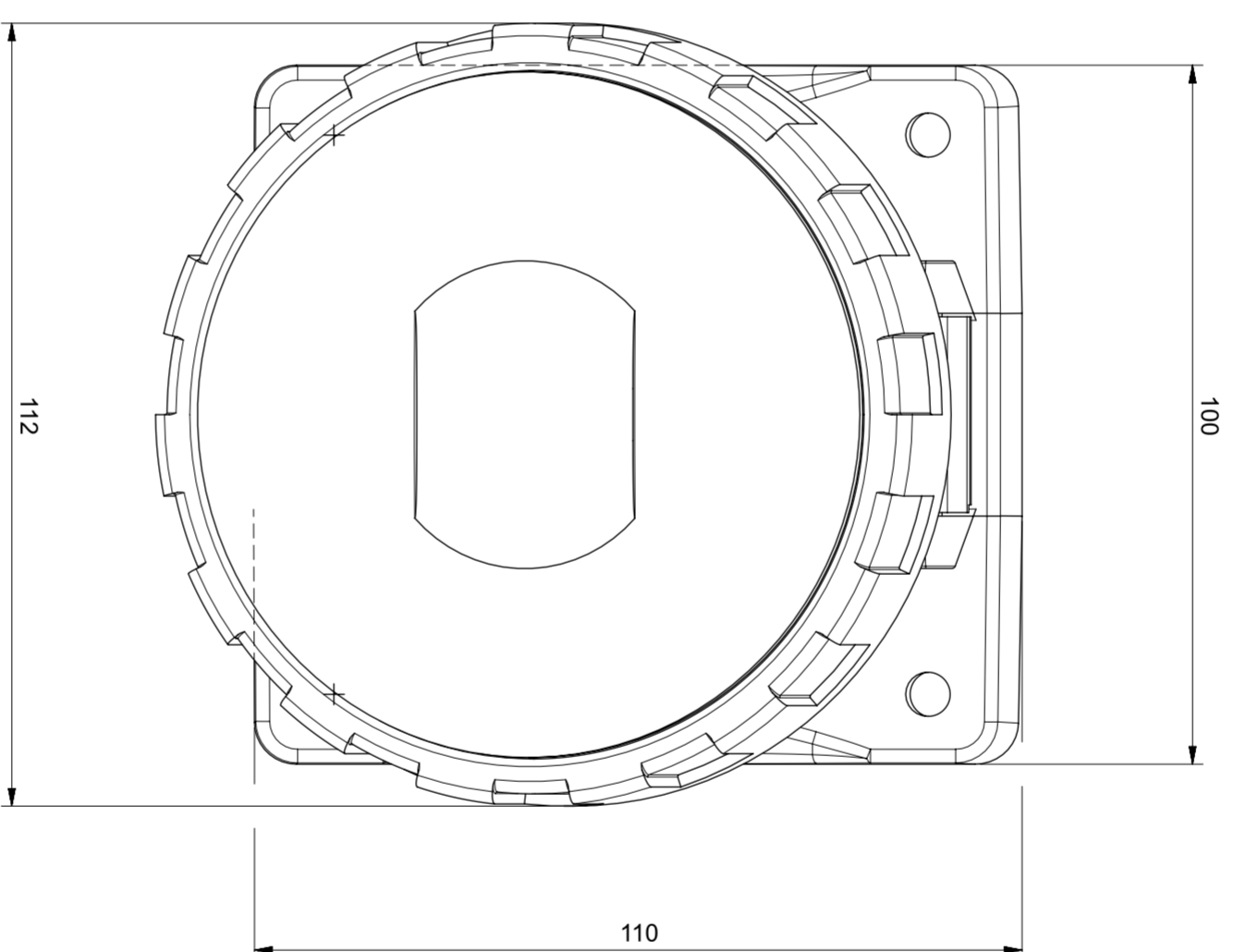
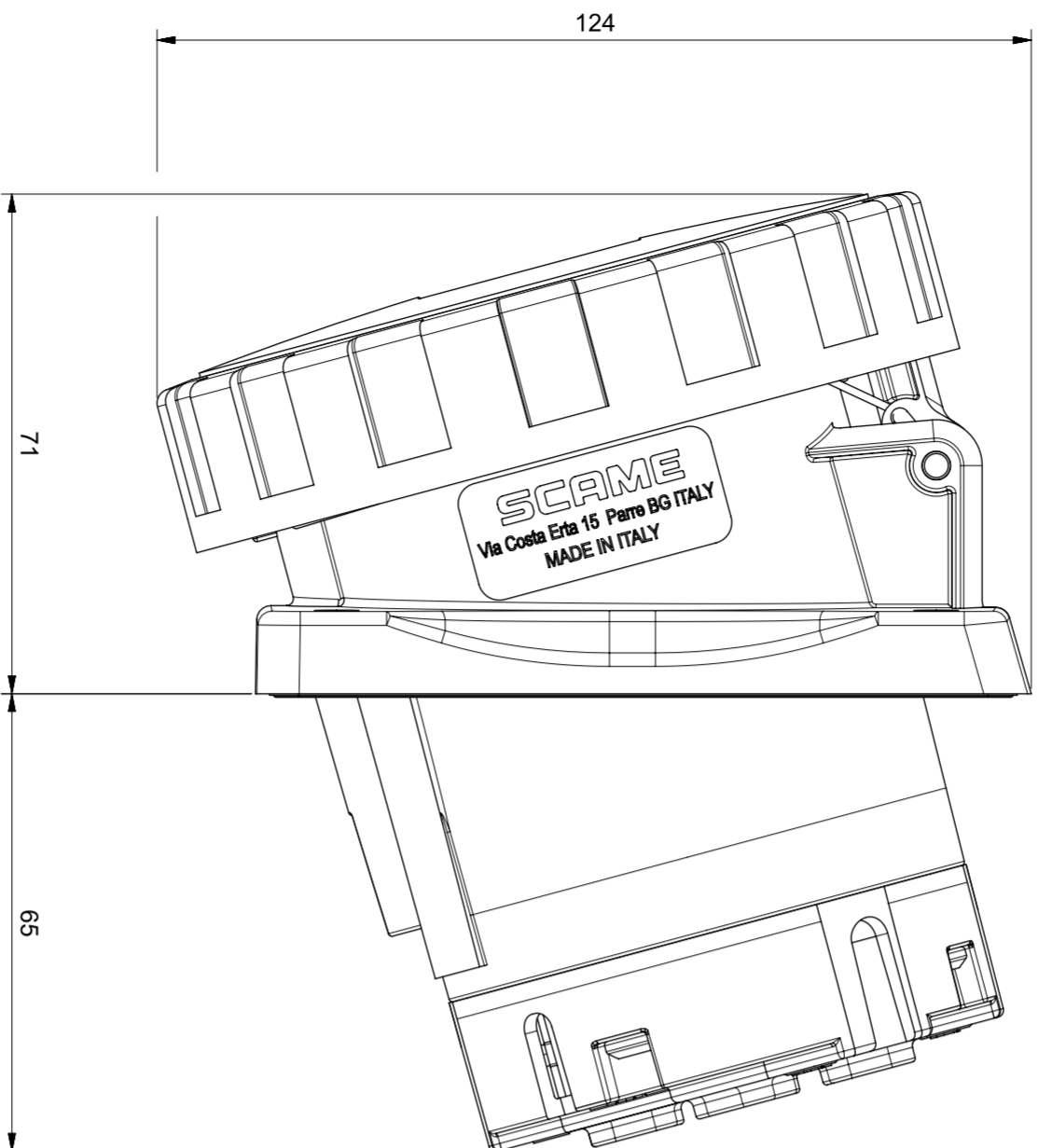
BASE EMPOTRABLE

63A 3P+T 7h 480-500V 50Hz 60Hz

100X110MM Bornes conexión brida tornillo

Product Approvals

TECHDATA		STANDARDS AND LAWS	
Tipo de producto	BASE EMPOTRABLE	EN 60309-1 (1999)	[European Standard] Plugs, socket-outlets and couplers for industrial purposes. Part 1: General requirements
Serie comercial	Serie OPTIMA	EN 60309-2 (1999)	[European Standard] Plugs, socket-outlets and couplers for industrial purposes. Part 2: Dimensional interchangeability requirements for pin and contact-tube accessories of harmonized configurations
Descripción sintética	BASE EMPOTRABLE		
Tipo de instalación	EMPOTRABLE		
Intensidad nominal	63A	EN 60309-1/A1 (2007)	[European Standard] Plugs, socket-outlets and couplers for industrial purposes. Part 1: General requirements
Polos	3P+T	EN 60309-2/A1 (2007)	[European Standard] Plugs, socket-outlets and couplers for industrial purposes. Part 2: Dimensional interchangeability requirements for pin and contact-tube accessories of harmonized configurations
Posición de hora	7h		
Tensión nominal (range)	400-up	EN 60309-1/A2 (2012)	[European Standard] Plugs, socket-outlets and couplers for industrial purposes. Part 1: General requirements
Tensión nominal	480-500V		
Frecuencia nominal	60Hz	EN 60309-2/A2 (2012)	[European Standard] Plugs, socket-outlets and couplers for industrial purposes. Part 2: Dimensional interchangeability requirements for pin and contact-tube accessories of harmonized configurations
Frecuencia nominal	50Hz		
Color	NEGRO	DIRECTIVE LOW VOLTAGE 2014/35 /UE	[European Directives] Low Voltage Directive
Material	TERMOPLÁSTICO		
Grado de protección	Watertight		
Grado de protección IP	IP66/IP67/IP69		
Tipos de salidas disponibles	INCLINADA		
Bornes	Bornes conexión brida tornillo		
Brida de Fijación	100X110MM		



At the end of the law, we reserve the ownership of this design may not be copied and transfer it to third parties or competitors		Format	A2	Scale	1:1	Mould N°	1000XXXX	Drawn	SCAME
Tolerances for linear and angular dimensions without indication of specific tolerances: JS13 / UNI EN20286								Date	
								Approved	

 S.p.A. PARRE - (Bergamo)		DESCRIPTION	PRESA INCASSO INCL. 3P+T 63A IP67	CODICE	Sheet 1 / 1
				4000670	