

2320



Color:  Black

UPC Code: 07847780120

Country of Origin: Please Contact Customer Service

NEMA: L6-20R



Locking Wiring Devices

Brand Features

Leviton's Industrial Grade Locking Devices are built to provide unparalleled quality and superior performance in the most severe industrial settings. Leviton combines the best materials available with superior production standards to produce a broad selection of Locking Devices of unmatched flexibility and dependability.

Item Description

20 Amp, 250 Volt, NEMA L6-20R, 2P, 3W, Flush Mtg Locking Receptacle, Industrial Grade, Grounding, V-0-MAX - BLACK

Technical Information

AC Horsepower Ratings

Horsepower Rating: 1 HP

Electrical Specifications

Grounding: Grounding

Amperage: 20 Amp

Voltage: 250 Volt

NEMA: L6-20R

Pole: 2

Wire: 3

Dielectric Voltage: Withstands 2000V per UL498

Current Limiting: Full Rated Current

Temperature Rise: Max 30C after 250 cycles OL at 200 percent rated current

Environmental Specifications

Flammability: Rated V-0 per UL94

Operating Temperature: -40C to 60C

Material Specifications

Face Material: Ultramid

Base Material: Valox

Line Contacts: Brass .040 Thick

Terminal Screws: Brass 10-32

Grounding Screw: Brass 8-32

Yoke: Nickel-Plated Brass .050 Thick

Strap Material: Nickel-Plated Brass

Color: Black

Mechanical Specifications

Terminal ID: Brass-Hot, Green-Ground, Silver-Neutral

Terminal Accom.: 14-8 AWG

Product ID: Ratings and NEMA I.D. permanently marked on device

Termination: Back & Side

Product Features

NEMA: L6-20R

Color: Black

Standards and Certifications

NEMA: WD-6

ANSI: C-73

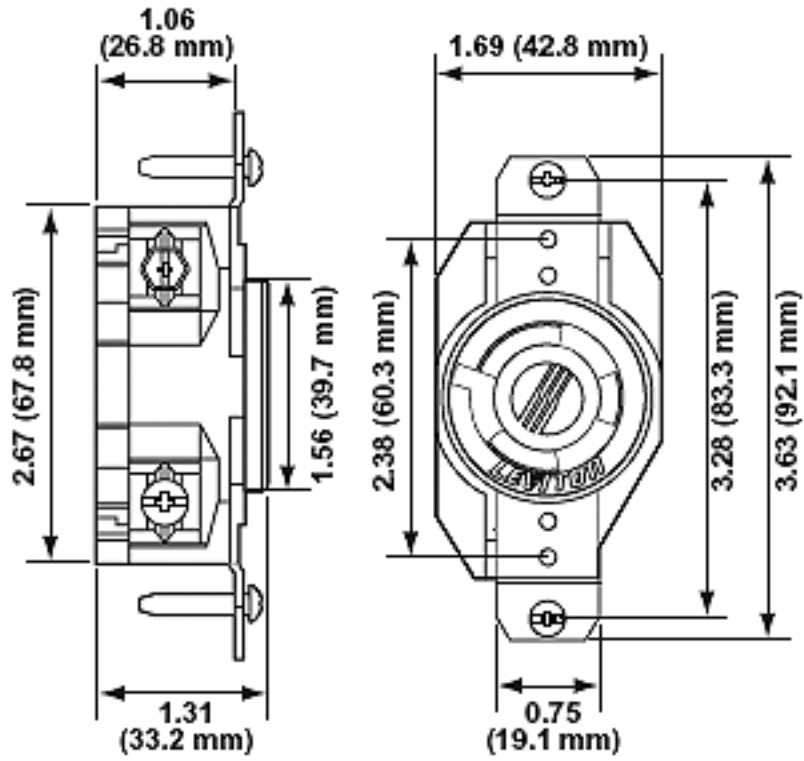
UL498: File E13399

UL Fed Spec WC-596: File E13399

CSA C22.2 No. 42: File LR-406

NOM: 057

Warranty: Lifetime Warranty



Wiring Diagram

