

CR15-I



UPC Code: 07847781491

Country of Origin: United States - **Eligible for ARRA funded projects*

NEMA: 5-15R



Straight Blade Wiring Devices

Brand Features

Leviton's line of Heavy-Duty Specification Grade receptacles are designed and manufactured to withstand the most demanding environments. Available in a wide variety of configurations, including isolated ground, tamper-resistant, etc., these Commercial Grade devices are the electrical contractor's choice for use in hotels, schools, hospitals and commercial office buildings.

Item Description

15 Amp, 125 Volt, NEMA 5-15R, 2P, 3W, Narrow Body Duplex Receptacle, Straight Blade, Commercial Grade, Self Grounding, , , Side Wired, Steel Strap, - Ivory

Technical Information

AC Horsepower Ratings

At Rated Voltage: 1/2 HP

Electrical Specifications

Grounding: Self-Grounding

Amperage: 15 Amp

Voltage: 125 Volt

NEMA: 5-15R

Pole: 2

Wire: 3

Dielectric Voltage: Withstands 2000V per UL498

Current Limiting: Full Rated Current

Temperature Rise: Max 30C after 100 cycles OL at 150 percent rated current

Environmental Specifications

Flammability: Rated V-2 per UL94

Operating Temperature: -40C to 60C

Material Specifications

Face Material: Thermoplastic

Body Material: Thermoplastic

Line Contacts: Brass Double Wipe .031 Thick

Terminal Screws: Steel 8-32

Grounding Screw: Steel 8-32

Strap Material: Zinc-Plated Steel

Ground Clips: Brass-Plated

Color: Ivory

Mechanical Specifications

Terminal ID: Brass-Hot, Green-Ground, Silver-Neutral

Terminal Accom.: 14-10 AWG

Product ID: Ratings are permanently marked on device

Termination: Side

Product Features

NEMA: 5-15R

Color: Ivory

Standards and Certifications

NEMA: WD-1 & WD-6

ANSI: C-73

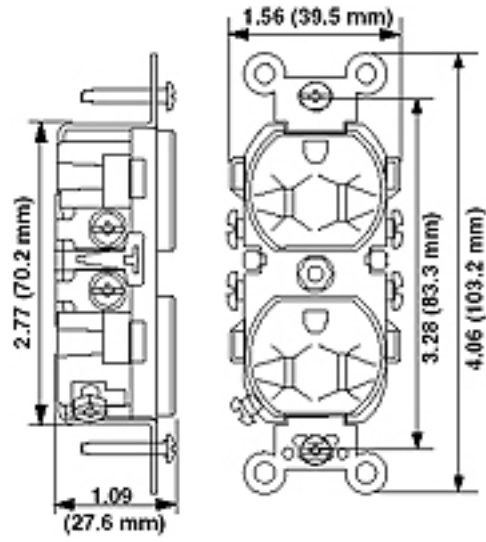
UL498: File E13399

CSA C22.2 No. 42: File 152105

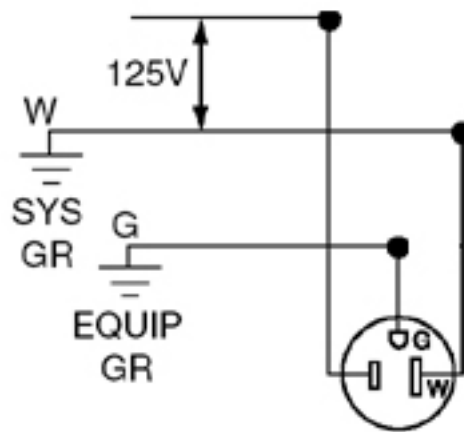
NOM: 057

Warranty: 10 Year Limited

Dimensional Diagram



Wiring Diagram



5-15R

