

5325-W



UPC Code: 07847723330

Country of Origin: Please Contact Customer Service

NEMA: 5-15R



Decora®

Brand Features

Leviton's comprehensive Residential Grade Receptacles portfolio includes devices rated for all residential applications in a variety of standard configurations. They are produced in an array of colors in both Decora and traditional styles. All duplex receptacles are designed with thermoplastic construction and feature a shallow build for maximum wiring room. Each duplex is also equipped with break-off plaster ears and tabs to allow for easy alignment and two-circuit conversion.

Item Description

15 Amp, 125 Volt, NEMA 5-15R, 2P, 3W, Decora Duplex Receptacle, Straight Blade, Residential Grade, Grounding, Quickwire Push-In & Side Wired, Steel Strap, - White

Technical Information

Electrical Ratings

Amperage: 15 Amp

Voltage: 125 Volt

Environmental Specifications

Flammability: Rated V-2 per UL94

Operating Temperature: -40C to 60C

Material Specifications

Terminal Screws: Brass

Grounding Screw: Steel 8-32

Ground Clips: Brass-Plated

Color: White

Face Material: Thermoplastic

Strap Material: Steel

Body Material: Thermoplastic

Mechanical Specifications

Grounding: Grounding

Terminal ID: Brass-Hot, Green-Ground, White-Neutral

Terminal ID: Brass-Hot, Green-Ground, White-Neutral

Terminal Accom.: 14-12 AWG

Product Features

Device Type: Duplex Receptacle

Amperage: 15 Amp

Voltage: 125 Volt

NEMA: 5-15R

Pole: 2

Wire: 3

Termination: Quickwire Push-In & Side

Face Material: Thermoplastic

Body Material: Thermoplastic

Strap Material: Steel

Color: White

Standards and Certifications: UL/CSA

Warranty: 1 Year Limited

Warranty: 2 Year Limited

Standards and Certifications

UL Listed: File E-13399

UL 498: File E13399

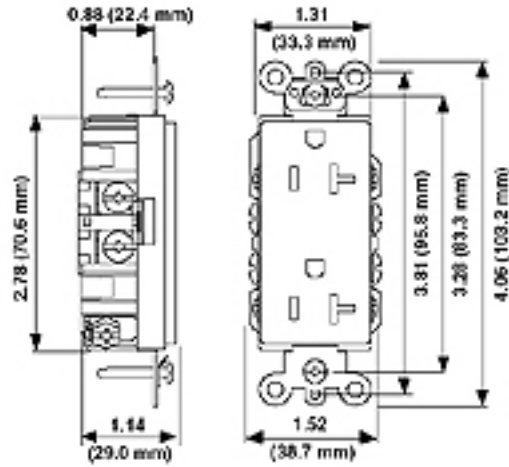
NOM Certified: 057

CSA C22.2 No. 42: File LR-406

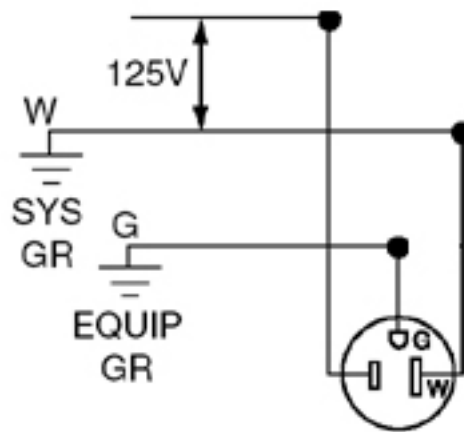
Features and Benefits

- Terminal screws accepts up to No. 12 AWG copper-clad wire
- Quickwire push-in terminals accept No. 14 AWG copper wire only.
- Double-wipe power contacts for reliable conductivity and plug retention.
- Heavy-gauge zinc-plated steel mounting strap
- Backed by a Limited Two-Year Warranty

Dimensional Diagram



Wiring Diagram



5-15R

SPECIFICATION SUBMITTAL

JOB NAME: <input style="width: 95%;" type="text"/>	CATALOG NUMBERS: <input style="width: 95%;" type="text"/>	
JOB NUMBER: <input style="width: 80%;" type="text"/>	<input style="width: 95%;" type="text"/>	<input style="width: 95%;" type="text"/>

Leviton Manufacturing Co., Inc.

201 North Service Road, Melville, NY 11747

Telephone: 1-800-323-8920 · FAX: 1-800-832-9538 · Tech Line (8:30AM-7:30PM E.S.T. Monday-Friday): 1-800-824-3005

Leviton Manufacturing of Canada, Ltd.

165 Hymus Boulevard, Pointe Claire, Quebec H9R 1E9 · Telephone: 1-800-469-7890 ·

FAX: 1-800-824-3005 · www.leviton.com/canada

Leviton S. de R.L. de C.V.

Lago Tana 43, Mexico DF, Mexico CP 11290 · Tel.: (+52)55-5082-1040 · FAX: (+52)5386-1797 · www.leviton.com.mx

Visit our Website at: www.leviton.com

© 2012-2014 Leviton Manufacturing Co., Inc. All rights reserved. Subject to change without notice.

Leviton has a global presence.

If you would like to know where your local Leviton office is located please go to: www.leviton.com/international/contacts/

