

Condulet® Conduit Outlet Boxes

With Covers for Threaded Rigid and IMC

Cl. I, Div. 1 & 2, Groups C,D
 Cl. II, Div. 1, Groups E,F,G
 Cl. II, Div. 2, Groups F,G
 Cl. III
 NEMA 3,4,7CD,9EFG

Explosionproof
 Dust-Ignitionproof
 Raintight
 Wet Locations

Application:

- GUA series conduit outlet boxes are installed within hazardous area conduit systems to:
- protect conductors in threaded rigid conduit
 - act as pull and splice boxes
 - connect lengths of conduit
 - change conduit direction
 - provide access to conductors for maintenance and future system changes
 - act as mounting outlets for fixtures (with appropriate covers)
 - act as sealing fittings (with appropriate covers)

Features:

- GUA conduit boxes have:
- Neoprene "O" ring standard to meet NEMA 4 requirements
 - Cast ears on cover to permit easy removal and tightening
 - Internal green ground screw
 - Four standard mounting pads except for boxes with bottom hubs
 - threaded cover openings
 - ten different hub arrangements
 - taper threaded hubs to provide grounding continuity
 - smooth integral hub bushing protects conductor insulation when pulling
 - surface covers furnished with boxes
 - sealing covers, dome covers, and fixture hanger covers are available.
 - cover threads are 12 pitch.

Standard Materials:

- Bodies – *Feraloy* iron alloy
- Covers – Copper-free aluminum

Standard Finishes:

- *Feraloy* iron alloy – electrogalvanized and aluminum acrylic paint
- Aluminum – natural

Size Ranges:

- Hub – 1/2" to 2"
- Cover opening – 2" to 5" dia.

Options:

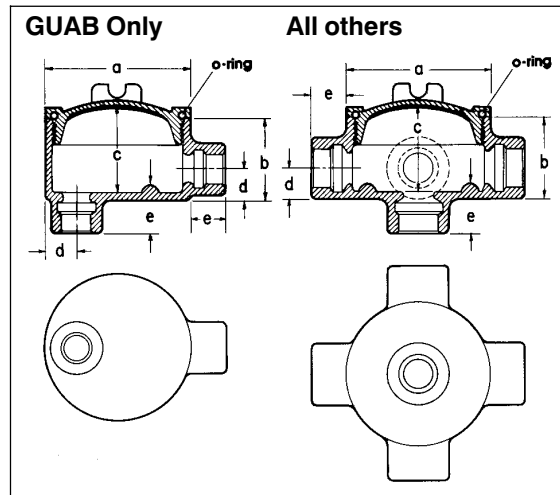
- Description**
- Bodies – copper-free aluminum SA †*
- Covers – *Feraloy* iron alloy – electrogalvanized and aluminum acrylic paint WOD
- GUA Form 6 (with 3" cover opening) are available with optional cover with viewing window. -VV
- Corro-free* epoxy powder coat S752
- To order box less cover add "0" to end of catalog number ie. GUAT260.

Certifications and Compliances:

- NEC/CEC: Class I, Division 1 & 2, Groups C,D
 Class II, Division 1, Groups E,F,G
 Class II, Division 2, Groups F,G
 Class III
- UL Standard: 886
- ANSI Standard: C33.27
- CSA Standard: C22.2 No. 30
- NEMA/EEMAC 3,4

NOTE: When assembled with sealing type cover, GUA series outlet boxes provide adequate sealing for 40% fill in hazardous areas – Class I, Groups C,D; Class II, Groups E,F,G; and Class III. Seals can be made in either horizontal or vertical positions. Use *Chico*® "A" sealing compound or *Chico*® SpeedSeal only. Conductor splices or connections must not be made in enclosures where sealing compound is to be used per NEC.

Dimensions



Suffix to be Added to Cat. #



GUA

| Hub Size | Cover Opening Dia. | Cat. # |
|----------|--------------------|--------|
| 1/2 | 2 | GUA14 |
| 3/4 | 2 | GUA24 |
| 1/2 | 3 | GUA16 |
| 3/4 | 3 | GUA26* |
| 1 | 3 | GUA36 |
| 1 1/4 | 3 5/8 | GUA47 |
| 1 1/2 | 5 | GUA59 |



GUAC

| Hub Size | Cover Opening Dia. | Cat. # |
|----------|--------------------|---------|
| 1/2 | 2 | GUAC14† |
| 3/4 | 2 | GUAC24† |
| 1/2 | 3 | GUAC16* |
| 3/4 | 3 | GUAC26* |
| 1 | 3 | GUAC36* |
| 1 1/4 | 3 5/8 | GUAC47† |
| 1 1/4 | 5 | GUAC49 |
| 1 1/2 | 5 | GUAC59† |
| 2 | 5 | GUAC69† |



GUAB

| Hub Size | Cover Opening Dia. | Cat. # |
|----------|--------------------|---------|
| 1/2 | 2 | GUAB14† |
| 3/4 | 2 | GUAB24 |
| 1/2 | 3 | GUAB16* |
| 3/4 | 3 | GUAB26* |
| 1 | 3 | GUAB36* |
| 1 1/4 | 3 5/8 | GUAB47† |
| 1 1/2 | 5 | GUAB59† |
| 2 | 5 | GUAB69† |



GUAD

| Hub Size | Cover Opening Dia. | Cat. # |
|----------|--------------------|---------|
| 1/2 | 2 | GUAD14† |
| 3/4 | 2 | GUAD24 |
| 1/2 | 3 | GUAD16 |
| 3/4 | 3 | GUAD26† |
| 1 | 3 | GUAD36† |
| 1 1/4 | 5 | GUAD49 |

| Length of Hub Hub Size | Dimension "e" Length | | | |
|------------------------|----------------------|-------|--------|-------|
| | a | b | c | d |
| 1/2-3/4 | 1 3/16 | 2 | 2 3/16 | 2 3/8 |
| 1-1 1/4 | 2 | 2 | 2 3/8 | 2 3/4 |
| 1 1/2-2 | 2 3/16 | 2 3/8 | 2 3/4 | 2 7/8 |

| Cat. # | a | b | c | d |
|--------|-------|----------|--------|--------|
| 14 | 2 1/2 | 1 3/16 | 1 3/4 | 5/8 |
| 24 | 2 1/2 | 2 | 2 | 3/4 |
| 16 | 3 1/2 | 2 | 1 7/8 | 5/8 |
| 26 | 3 1/2 | 2 | 1 7/8 | 3/4 |
| 36 | 3 1/2 | 2 5/16 | 2 3/16 | 7/8 |
| 37 | 4 1/4 | 2 5/16 | 2 3/8 | 7/8 |
| 47 | 4 1/4 | 2 1 1/16 | 2 3/4 | 1 3/32 |
| 49 | 5 3/4 | 3 1 3/16 | 3 3/4 | 1 3/32 |
| 59 | 5 3/4 | 3 1 3/16 | 3 3/4 | 1 3/32 |
| 69 | 5 3/4 | 4 1/16 | 4 | 1 9/16 |

† Available in copper-free aluminum, add suffix -SA.

* Available in copper-free aluminum, add suffix -SA. GUA outlet boxes marked with * when ordered with suffix -SA are listed for Class I, Division 1 & 2, Groups B, C and D, Class II, Division 1, Groups E, F, G and Class III. Covers have 16 pitch threads. Replacement cover is a GUA06-GB.

Condulet® Conduit Outlet Boxes

With Covers for Threaded Rigid and IMC

Cl. I, Div. 1 & 2, Groups C,D
 Cl. II, Div. 1, Groups E,F,G
 Cl. II, Div. 2, Groups F,G
 Cl. III
 NEMA 3,4,7CD,9EFG

Explosionproof
 Dust-Ignitionproof
 Raintight
 Wet Locations

4F

4F Conduit Outlet Boxes & Bodies



GUAL

| Hub Size | Cover Opening Dia. | Cat. # |
|----------|--------------------|---------|
| 1/2 | 2 | GUAL14† |
| 3/4 | 2 | GUAL24† |
| 1/2 | 3 | GUAL16* |
| 3/4 | 3 | GUAL26* |
| 1 | 3 | GUAL36* |
| 1 1/4 | 3 5/8 | GUAL47† |
| 1 1/4 | 5 | GUAL49† |
| 1 1/2 | 5 | GUAL59† |
| 2 | 5 | GUAL69† |

GUAN

| Hub Size | Cover Opening Dia. | Cat. # |
|----------|--------------------|---------|
| 1/2 | 2 | GUAN14 |
| 3/4 | 2 | GUAN24 |
| 1/2 | 3 | GUAN16 |
| 3/4 | 3 | GUAN26 |
| 1 | 3 | GUAN36† |
| 1 1/4 | 3 5/8 | GUAN47 |
| 1 1/2 | 5 | GUAN59† |
| 2 | 5 | GUAN69 |

GUAT

| Hub Size | Cover Opening Dia. | Cat. # |
|----------|--------------------|---------|
| 1/2 | 2 | GUAT14† |
| 3/4 | 2 | GUAT24† |
| 1/2 | 3 | GUAT16* |
| 3/4 | 3 | GUAT26* |
| 1 | 3 | GUAT36* |
| 1 | 3 5/8 | GUAT37 |
| 1 1/4 | 3 5/8 | GUAT47† |
| 1 1/4 | 5 | GUAT49† |
| 1 1/2 | 5 | GUAT59† |
| 2 | 5 | GUAT69† |

GUAX

| Hub Size | Cover Opening Dia. | Cat. # |
|----------|--------------------|---------|
| 1/2 | 2 | GUAX14† |
| 3/4 | 2 | GUAX24† |
| 1/2 | 3 | GUAX16* |
| 3/4 | 3 | GUAX26* |
| 1 | 3 | GUAX36* |
| 1 | 3 5/8 | GUAX37† |
| 1 1/4 | 3 5/8 | GUAX47† |
| 1 1/4 | 5 | GUAX49 |
| 1 1/2 | 5 | GUAX59† |
| 2 | 5 | GUAX69† |



GUAM

| Hub Size | Cover Opening Dia. | Cat. # |
|----------|--------------------|---------|
| 1/2 | 2 | GUAM14† |
| 3/4 | 2 | GUAM24 |
| 1/2 | 3 | GUAM16 |
| 3/4 | 3 | GUAM26 |
| 1 | 3 | GUAM36 |
| 1 1/4 | 3 5/8 | GUAM47 |
| 2 | 5 | GUAM69 |

GUAW

| Hub Size | Cover Opening Dia. | Cat. # |
|----------|--------------------|---------|
| 1/2 | 2 | GUAW14† |
| 3/4 | 2 | GUAW24† |
| 1/2 | 3 | GUAW16 |
| 3/4 | 3 | GUAL26† |

Dimensions

GUAC, GUAT

| Cat. # | a | b | c | d |
|--------|-------|----------|--------|--------|
| 14 | 2 1/2 | 2 1/4 | 2 3/16 | 5/8 |
| 24 | 2 1/2 | 2 | 2 | 3/4 |
| 16 | 3 1/2 | 2 | 1 7/8 | 5/8 |
| 26 | 3 1/2 | 2 | 1 7/8 | 3/4 |
| 36 | 3 1/2 | 2 5/16 | 2 3/16 | 7/8 |
| 37 | 4 1/4 | 2 5/16 | 2 3/8 | 7/8 |
| 47 | 4 1/4 | 2 1 1/16 | 2 3/4 | 1 3/32 |
| 49 | 5 3/4 | 3 13/16 | 3 3/4 | 1 5/32 |
| 59 | 5 3/4 | 3 13/16 | 3 3/4 | 1 9/32 |
| 69 | 5 3/4 | 4 1/16 | 4 | 1 9/16 |

GUAN

| Cat. # | a | b | c | d |
|--------|-------|----------|--------|--------|
| 14 | 2 1/2 | 2 1/8 | 2 1/16 | 5/8 |
| 24 | 2 1/2 | 2 5/16 | 2 1/4 | 3/4 |
| 16 | 3 1/2 | 2 | 1 7/8 | 3/4 |
| 26 | 3 1/2 | 2 | 1 7/8 | 3/4 |
| 36 | 3 1/2 | 2 5/16 | 2 3/8 | 7/8 |
| 47 | 4 1/4 | 2 1 1/16 | 2 3/4 | 1 3/32 |
| 59 | 5 3/4 | 4 1/16 | 4 | 1 9/32 |
| 69 | 5 3/4 | 4 1/16 | 4 | 1 9/16 |

GUAB, GUAL

| Cat. # | a | b | c | d |
|--------|-------|----------|--------|--------|
| 14 | 2 1/2 | 2 1/4 | 2 3/16 | 5/8 |
| 24 | 2 1/2 | 2 1/2 | 2 7/16 | 3/4 |
| 16 | 3 1/2 | 2 | 1 7/8 | 5/8 |
| 26 | 3 1/2 | 2 | 1 7/8 | 3/4 |
| 36 | 3 1/2 | 2 5/16 | 2 3/16 | 7/8 |
| 47 | 4 1/4 | 2 1 1/16 | 2 3/4 | 1 3/32 |
| 49 | 5 3/4 | 3 13/16 | 3 3/4 | 1 5/32 |
| 59 | 5 3/4 | 3 13/16 | 3 3/4 | 1 9/32 |
| 69 | 5 3/4 | 4 1/16 | 4 | 1 9/16 |

* Available in copper-free aluminum, add suffix -SA. GUA outlet boxes marked with * when ordered with suffix -SA are listed for Class I, Division 1&2, Groups B, C and D, Class II, Division 1, Groups E, F, G and Class III. Covers have 16 pitch threads. Replacement cover is a GUA06-GB.

† Available in copper-free aluminum, add suffix -SA.