

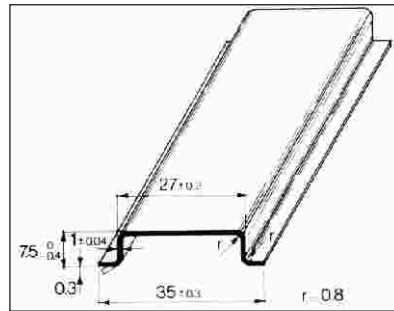
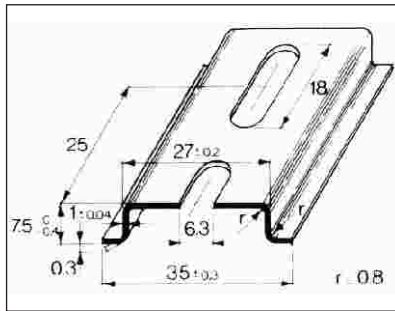
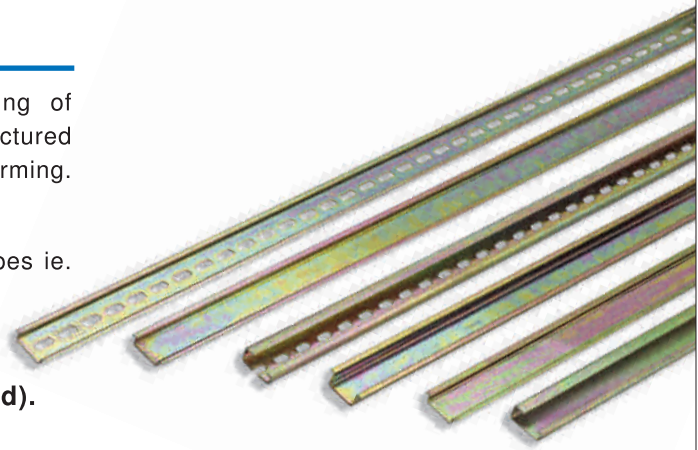
DIN RAIL CHANNELS

“HEX” offers a complete range of DIN RAILS for mounting of terminal blocks, MCB’s etc. These steel rails are manufactured from CRCA and processed into various shapes through rollforming. The finish is zinc electroplated with yellow passivation.

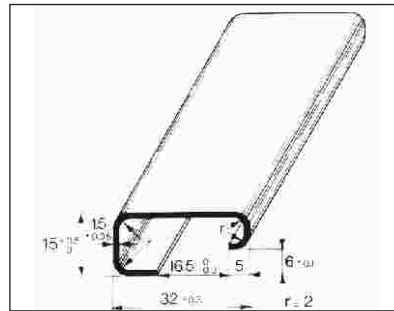
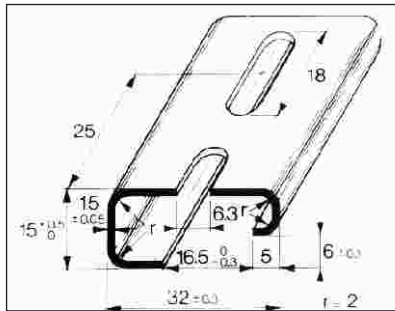
All rails are available in 1 mtr. & 2 mtr. length and in three types ie. Plain (P), Punched / Dotted (D) & Slotted (S).

While ordering add the type :

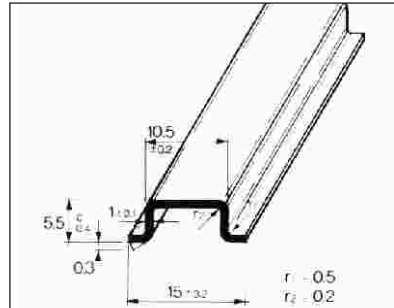
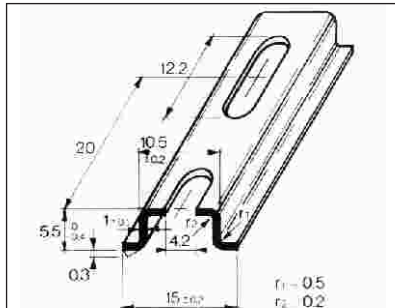
P for (Plain), **D** for (Dotted/Punched) and **S** for (Slotted).



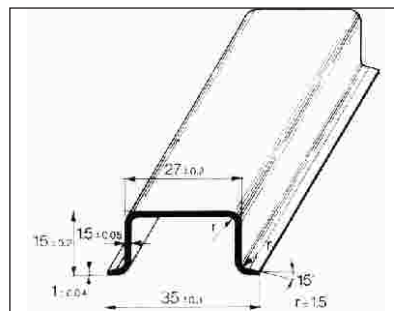
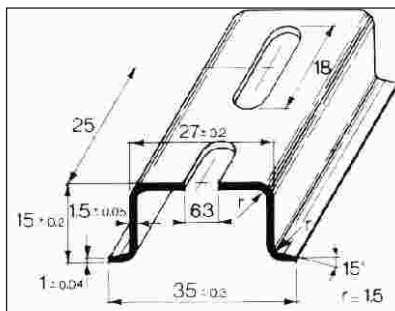
Hex Prod. Code : - HDR - 3575
Size :- 35mm x 7.5mm



Hex Prod. Code : - HDR - 3215G
Size :- 32mm x 15mm x 9mm



Hex Prod. Code : - HDR - 1555
Size :- 15mm x 5.5mm

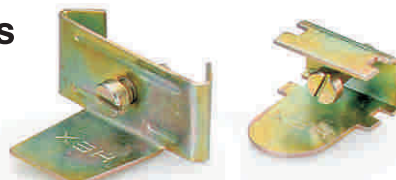


Hex Prod. Code : - HDR - 3515
Size :- 35mm x 15mm

Also available with White Passivation as per RoHS compliance against specific order.

End Clamps for Din Rails

Hex Prod. Code : - HECDR - 35



Hex Prod. Code : - HECDR - 32