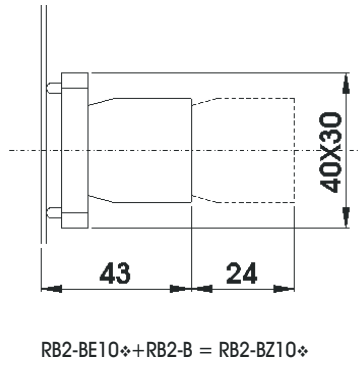
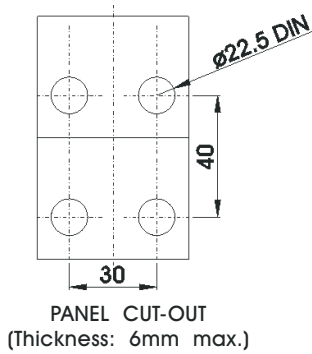
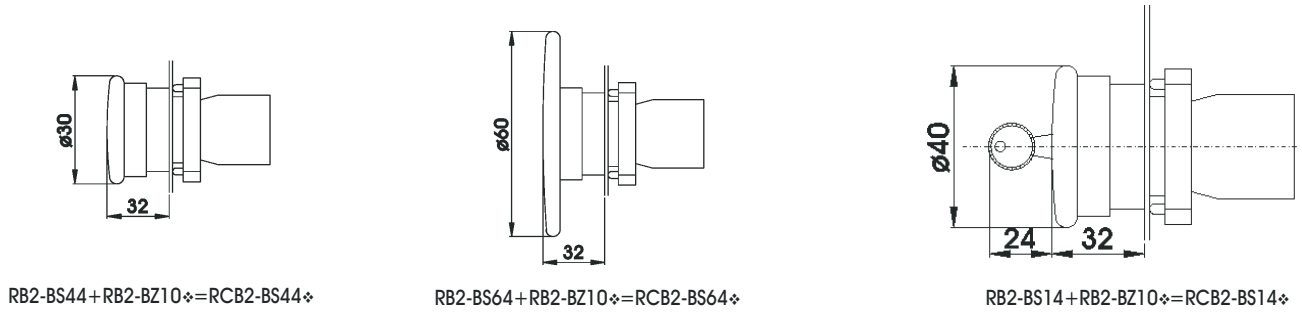


Dimensions / Complete Units' Reference

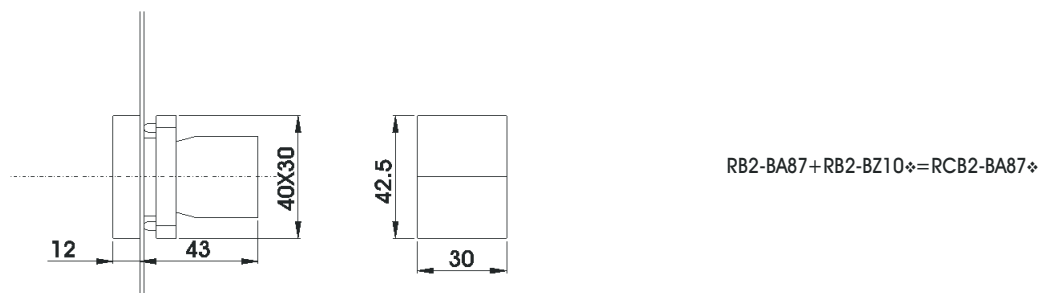
Control Units ϕ 22mm fixing



RB2-BA \bullet +RB2-BZ10 \diamond =RCB2-BA \bullet \diamond RB2-BA334+RB2-BZ10 \diamond =RB2-BA334 \diamond	RB2-BL \bullet +RB2-BZ10 \diamond =RCB2-BL \bullet \diamond	RB2-BP \bullet +RB2-BZ10 \diamond =RCB2-BP \bullet \diamond RB2-BA \bullet 8+RB2-BZ10 \diamond =RCB2-BA \bullet 8 \diamond	RB2-BC \bullet +RB2-BZ10 \diamond =RCB2-BC \bullet \diamond RB2-BS54+RB2-BZ10 \diamond =RCB2-BS54 \diamond RB2-BT4+RB2-BZ10 \diamond =RCB2-BT4 \diamond



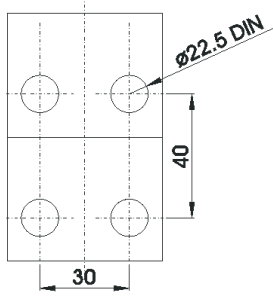
RB2-BD2+RB2-BZ10 \diamond =RCB2-BD2 \diamond RB2-BD3+RB2-BZ10 \diamond =RCB2-BD3 \diamond	RB2-BJ2+RB2-BZ10 \diamond =RCB2-BJ2 \diamond RB2-BJ3+RB2-BZ10 \diamond =RCB2-BJ3 \diamond	RB2-BG \blacklozenge +RB2-BZ10 \diamond =RCB2-BG \blacklozenge \diamond Replace \blacklozenge with code for position of Key removal & operation pattern



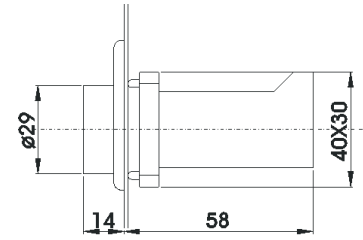
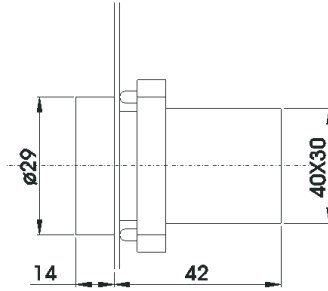
- Replace \diamond with codes for type of contacts (See page 5) & \bullet with colour codes (see page 2 & 3)
- For non-illuminated push button heads, selector switches & key switches refer page 2 & 3

Dimensions / Complete Units' Reference

Signalling Unit ϕ 22mm fixing

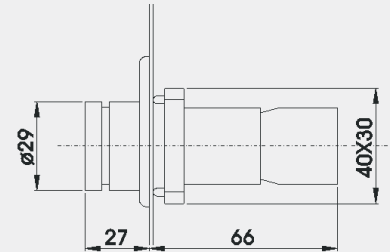
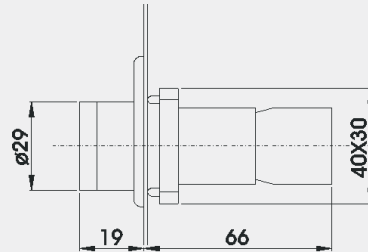
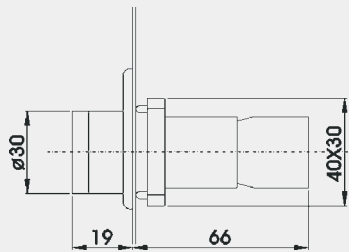


PANEL CUT-OUT
(Thickness: 6mm max.)



RB2-BV0●+RB2-BV6 = RCB2-BV6●
 RB2-BV0●+RB2-BVN6 = RCB2-BVN6●
 RB2-BV0●+RB2-BV7 = RCB2-BV7●
 RB2-BV0●+RB2-BVD7 = RCB2-BVD7●
 RB2-BVL0●+RB2-BVL7● = RCB2-BVL7●

RB2-BV0●+RB2-BV3 = RCB2-BV3●
 RB2-BV0●+RB2-BV4 = RCB2-BV4●



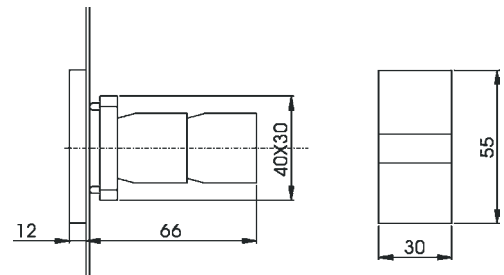
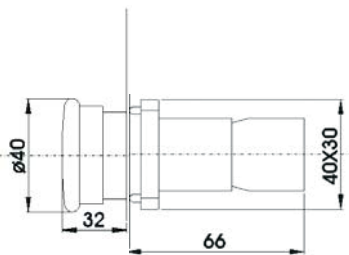
RB2-BW3●+RB2-BW06+RB2-BE10❖ = RCB2-BW3●6❖
 RB2-BW3●+RB2-BW07+RB2-BE10❖ = RCB2-BW3●7❖
 RB2-BW3●+RB2-BWD07+RB2-BE10❖ = RCB2-BWD3●7❖
 RB2-BWL3●+RB2-BWN06●+RB2-BE10❖ = RCB2-BWN3●6❖
 RB2-BWL3●+RB2-BWL7●+RB2-BE10❖ = RCB2-BWL3●7❖

RB2-BK12●+RB2-BW06 = RCB2-BK12●6❖
 RB2-BK12●+RB2-BW07 = RCB2-BK12●7❖
 RB2-BK12●+RB2-BWD07 = RCB2-BKD12●7❖

RB2-BW5●+RB2-BW06+RB2-BE10❖ = RCB2-BW5●6❖
 RB2-BW5●+RB2-BW07+RB2-BE10❖ = RCB2-BW5●7❖
 RB2-BW5●+RB2-BWD07+RB2-BE10❖ = RCB2-BWD5●7❖
 RB2-BW5●+RB2-BW06+RB2-BE10❖ = RCB2-BW5●6❖

RB2-BW1●+RB2-BW06+RB2-BE10❖ = RCB2-BW1●6❖
 RB2-BW1●+RB2-BW07+RB2-BE10❖ = RCB2-BW1●7❖
 RB2-BW1●+RB2-BWD07+RB2-BE10❖ = RCB2-BWD1●7❖
 RB2-BWL1●+RB2-BWN06●+RB2-BE10❖ = RCB2-BWN3●6❖
 RB2-BWL1●+RB2-BWL7●+RB2-BE10❖ = RCB2-BWL3●7❖

RB2-BK13●+RB2-BW06 = RCB2-BK13●6❖
 RB2-BK13●+RB2-BW07 = RCB2-BK13●7❖
 RB2-BK13●+RB2-BWD07 = RCB2-BKD13●7❖



RB2-BW4●+RB2-BW06+RB2-BE10❖ = RCB2-BW4●6❖
 RB2-BW4●+RB2-BW07+RB2-BE10❖ = RCB2-BW4●7❖
 RB2-BW4●+RB2-BWD07+RB2-BE10❖ = RCB2-BWD4●7❖
 RB2-BW4●+RB2-BWN06●+RB2-BE10❖ = RCB2-BWN4●6❖
 RB2-BW4●+RB2-BWL7●+RB2-BE10❖ = RCB2-BWL4●7❖
 RB2-BW6●+RB2-BW06+RB2-BE10❖ = RCB2-BW6●6❖
 RB2-BW6●+RB2-BW07+RB2-BE10❖ = RCB2-BW6●7❖
 RB2-BW6●+RB2-BWD07+RB2-BE10❖ = RCB2-BWD6●7❖
 RB2-BW6●+RB2-BWN06●+RB2-BE10❖ = RCB2-BWN6●6❖
 RB2-BW6●+RB2-BWL7●+RB2-BE10❖ = RCB2-BWL6●7❖

RB2-BW9+RB2-BW06+RB2-BE10❖ = RCB2-BW96❖
 RB2-BW9+RB2-BW07+RB2-BE10❖ = RCB2-BW97❖
 RB2-BW9+RB2-BWD07+RB2-BE10❖ = RCB2-BWD97❖
 RB2-BW9+RB2-BWN065+RB2-BE10❖ = RCB2-BWN965❖
 RB2-BW9+RB2-BWL75+RB2-BE10❖ = RCB2-BWL975❖

- Replace '❖' with codes for type of contacts (See page 5) & '●' with colour codes (see page 4 & 5)
- For illuminated push button heads, illuminated selector switches please refer page 4
- For pilot lamp head please refer page 6 & for double headed push button with pilot lamp please refer page 3