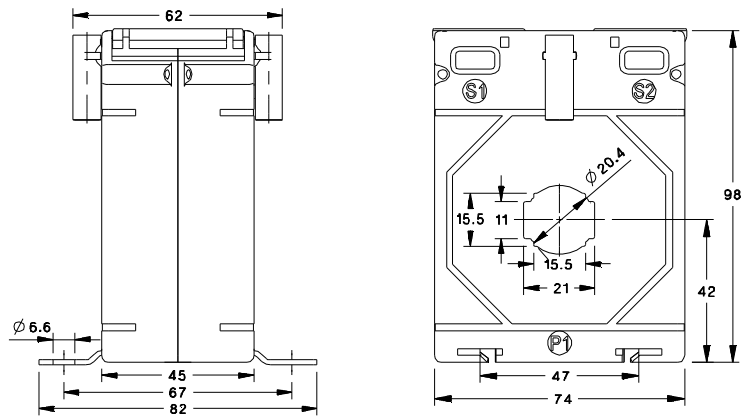
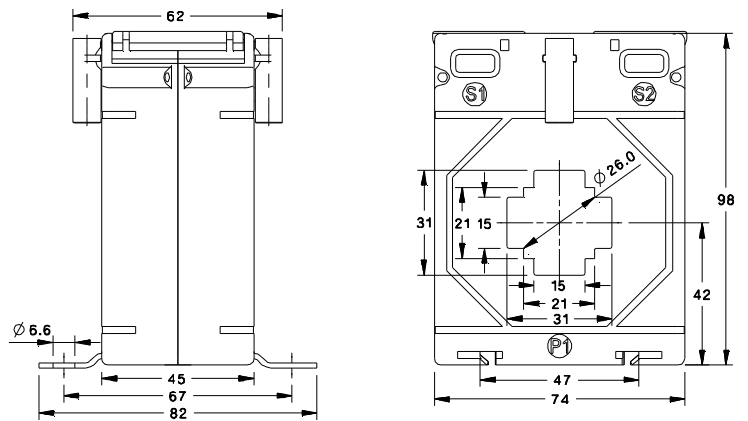


RISH XMER 74 SERIES

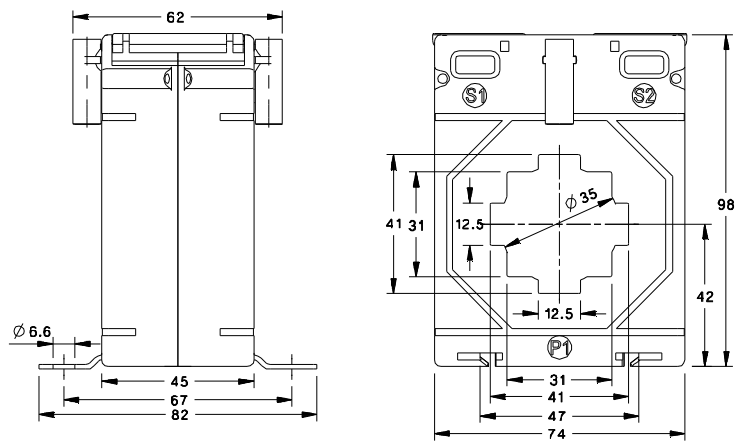
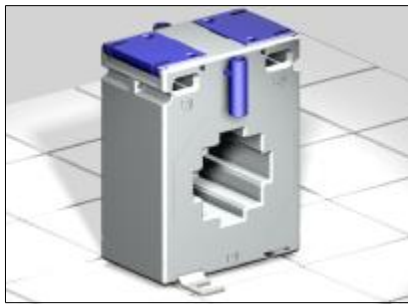
RISH XMER 74-20



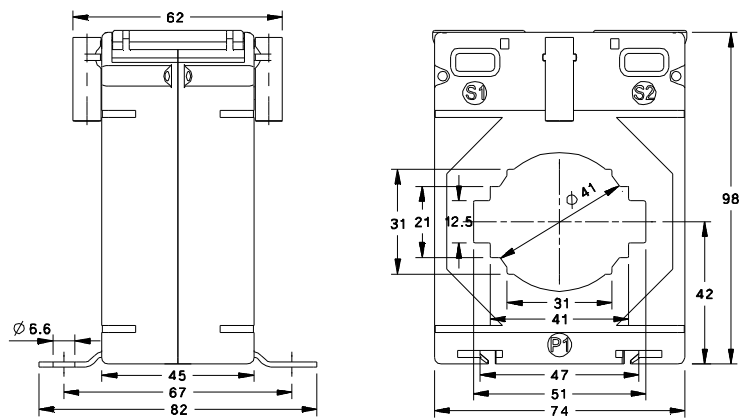
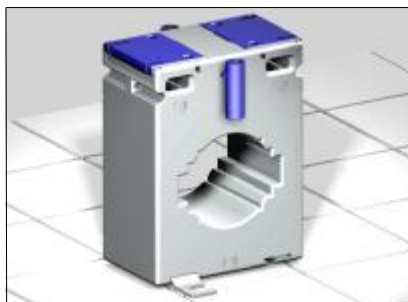
RISH XMER 74-30



RISH XMER 74-40



RISH XMER 74-50



ALL DIMENSIONS ARE IN MM

Primary current	RISH XMER 74/20					RISH XMER 74/30				
	Accuracy Class					Accuracy Class				
	0.2S	0.2	0.5	1	3	0.2S	0.2	0.5	1	3
30A	1.5VA	2.5VA	1.0VA	1.5VA
40A	1.5VA	2.5VA	1.5VA	2.5VA
50A	2.5VA	3.75VA	1.5VA	2.5VA
60A	3.75VA	5.0VA	2.5VA	3.75VA
75A	1.5VA	5.0VA	7.5VA	1.5VA	2.5VA	3.75VA
80A	1.5VA	5.0VA	7.5VA	1.5VA	3.75VA	5.0VA
100A	1.5VA	1.5VA	3.75VA	5.0VA	10VA	1.5VA	1.5VA	2.5VA	5.0VA	7.5VA
120A	1.5VA	1.5VA	5.0VA	10VA	...	1.5VA	1.5VA	2.5VA	5.0VA	7.5VA
125A	1.5VA	1.5VA	5.0VA	10VA	...	1.5VA	1.5VA	2.5VA	5.0VA	7.5VA
150A	2.5VA	2.5VA	7.5VA	12.5VA	...	1.5VA	1.5VA	3.75VA	5.0VA	7.5VA
200A	5.0VA	5.0VA	10VA	15VA	...	2.5VA	2.5VA	5.0VA	10VA	12.5VA
250A	3.75VA	5.0VA	10VA	15VA	...	2.5VA	2.5VA	7.5VA	10VA	15VA
300A	5.0VA	7.5VA	15VA	15VA	...	2.5VA	5.0VA	10VA	15VA	20VA
400A	5.0VA	10VA	15VA	20VA	...	5.0VA	7.5VA	15VA	20VA	...
500A	5.0VA	10VA	15VA	20VA	...
600A	5.0VA	15VA	15VA	20VA	...
750A	7.5VA	20VA	20VA	30VA	...
800A	10VA	30VA	30VA	30VA	...
1000A										

Primary current	RISH XMER 74/40					RISH XMER 74/50				
	Accuracy Class					Accuracy Class				
	0.2S	0.2	0.5	1	3	0.2S	0.2	0.5	1	3
30A										
40A				1.0VA						
50A				1.0VA	1.5VA					
60A				1.0VA	1.5VA					
75A				1.5VA	2.5VA					
80A				1.5VA	2.5VA					
100A			1.5VA	2.5VA	3.75VA				1.5VA	
120A			1.5VA	2.5VA	3.75VA				1.5VA	2.5VA
125A			1.5VA	2.5VA	3.75VA				1.5VA	2.5VA
150A			2.5VA	3.75VA	5.0VA				2.5VA	3.75VA
200A	2.5VA	2.5VA	3.75VA	5.0VA	7.5VA			1.5VA	3.75VA	5.0VA
250A	2.5VA	2.5VA	5.0VA	7.5VA	10VA	1.5VA	1.5VA	2.5VA	5.0VA	7.5VA
300A	2.5VA	2.5VA	5.0VA	7.5VA	10VA	1.5VA	1.5VA	5.0VA	7.5VA	10VA
400A	5.0VA	5.0VA	7.5VA	12.5VA	15VA	2.5VA	2.5VA	5.0VA	7.5VA	10VA
500A	5.0VA	7.5VA	10VA	15VA	...	5.0VA	5.0VA	7.5VA	10VA	12.5VA
600A	5.0VA	10VA	15VA	20VA	...	5.0VA	7.5VA	10VA	12.5VA	15VA
750A	5.0VA	10VA	15VA	20VA	...	5.0VA	10VA	12.5VA	15VA	...
800A	7.5VA	15VA	15VA	20VA	...	5.0VA	10VA	12.5VA	15VA	...
1000A	10VA	15VA	15VA	20VA	...	5.0VA	10VA	12.5VA	15VA	...