



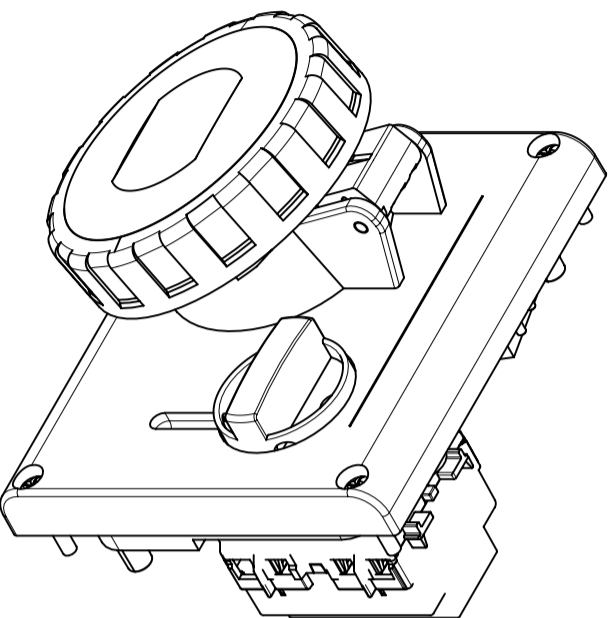
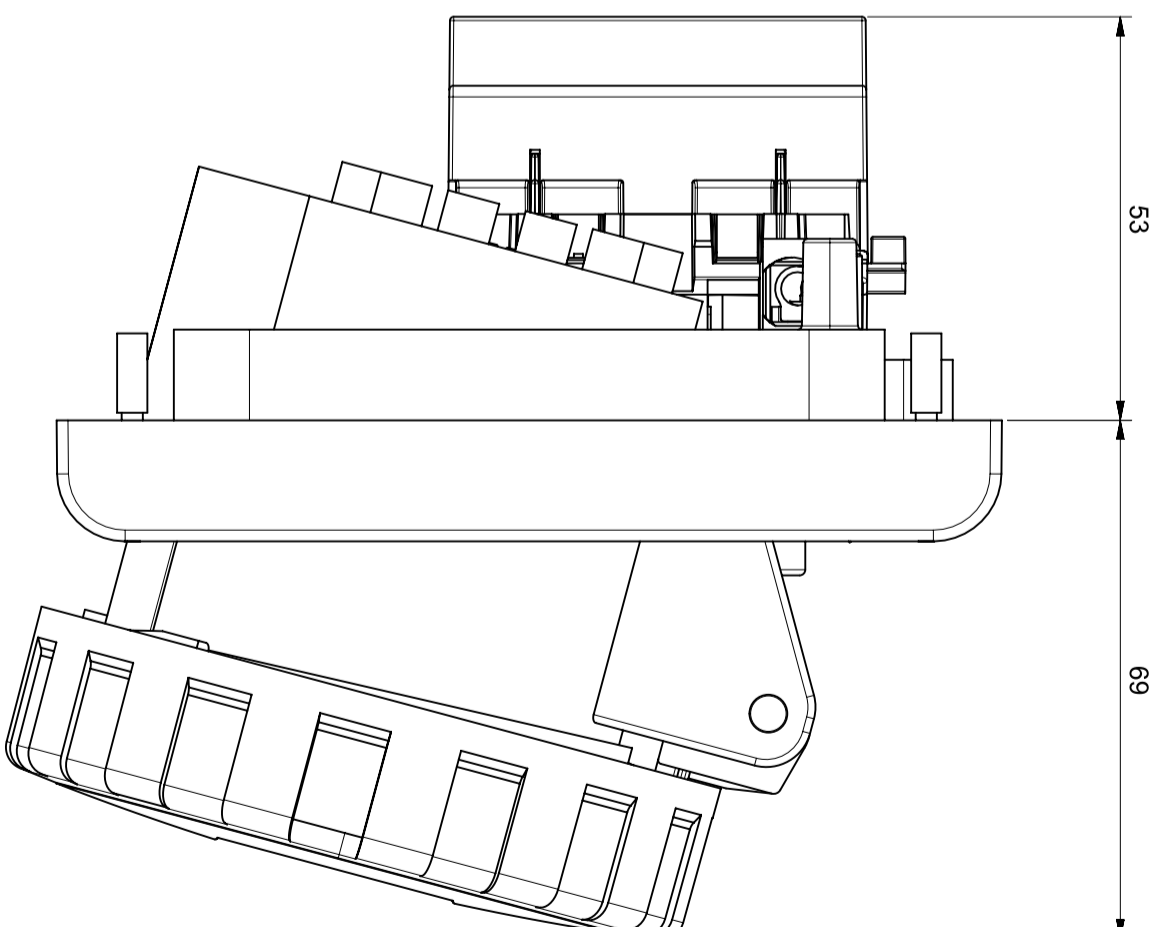
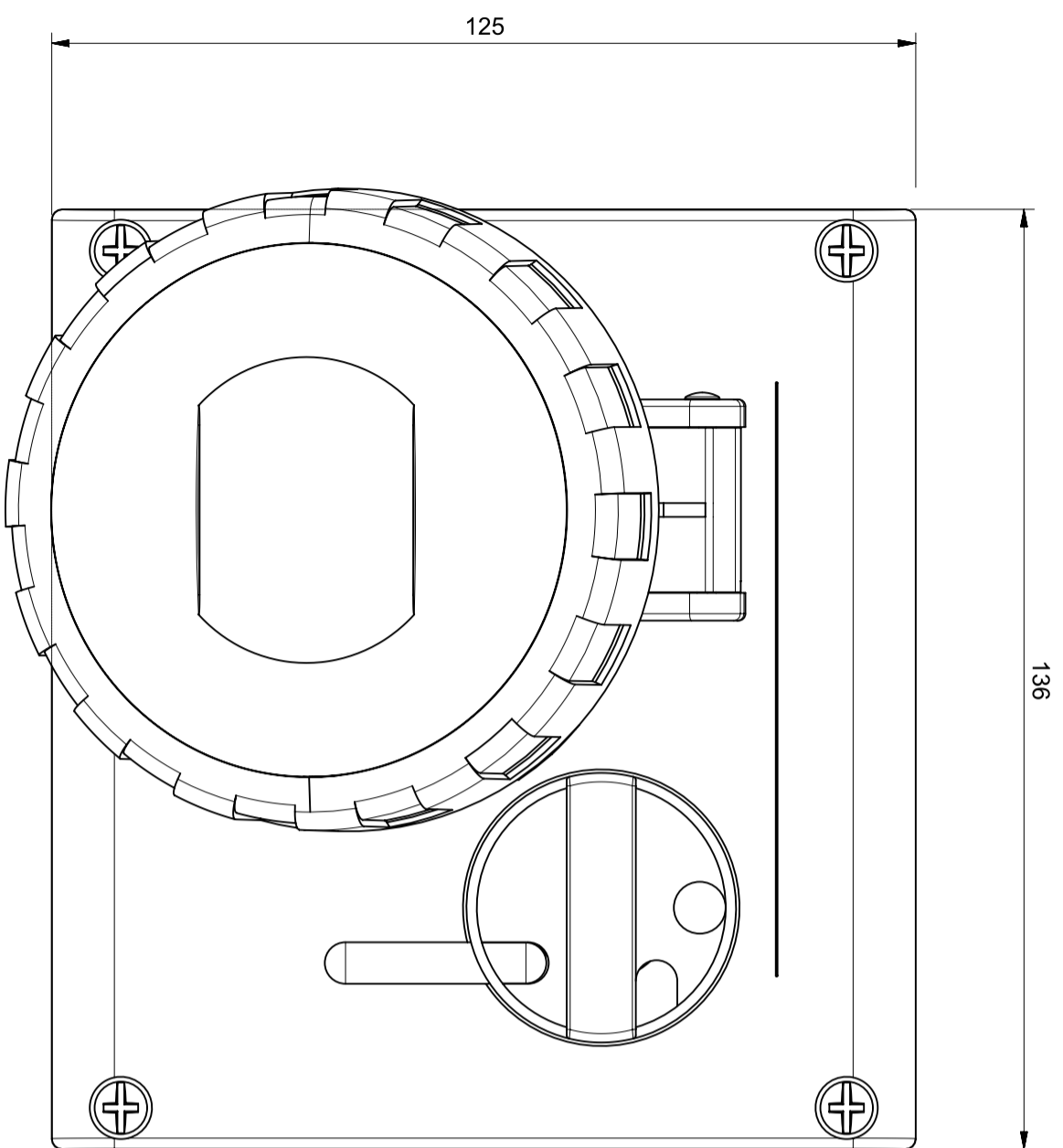
405.3272

BASE ENCLAV. MEC.

32A 3P+T 4h 100-130V 50Hz 60Hz
136X125MM Con enclavamiento mecánico

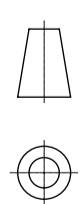
Product Approvals

TECHDATA		STANDARDS AND LAWS	
Tipo de producto	BASE ENCLAV. MEC.	EN 60309-1 (1999)	[European Standard] Plugs, socket-outlets and couplers for industrial purposes. Part 1: General requirements
Serie comercial	Serie OMNIA	EN 60309-2 (1999)	[European Standard] Plugs, socket-outlets and couplers for industrial purposes. Part 2: Dimensional interchangeability requirements for pin and contact-tube accessories of harmonized configurations
Descripción sintética	BASE ENCLAV. MEC.		
Tipo de instalación	EMPOTRABLE		
Intensidad nominal	32A	EN 60309-1/A1 (2007)	[European Standard] Plugs, socket-outlets and couplers for industrial purposes. Part 1: General requirements
Polos	3P+T	EN 60309-2/A1 (2007)	[European Standard] Plugs, socket-outlets and couplers for industrial purposes. Part 2: Dimensional interchangeability requirements for pin and contact-tube accessories of harmonized configurations
Posición de hora	4h		
Tensión nominal (range)	50-200V	EN 60309-4 (2007)	[European Standard] Plugs, socket-outlets and couplers for industrial purposes. Switched socket-outlets and connectors, with or without interlock
Tensión nominal	100-130V		
Frecuencia nominal	60Hz	EN 60309-1/A2 (2012)	[European Standard] Plugs, socket-outlets and couplers for industrial purposes. Part 1: General requirements
Frecuencia nominal	50Hz	EN 60309-2/A2 (2012)	[European Standard] Plugs, socket-outlets and couplers for industrial purposes. Part 2: Dimensional interchangeability requirements for pin and contact-tube accessories of harmonized configurations
Color	AMARILLO		
Grado de protección	Watertight		
Grado de protección IP	IP66/IP67	EN 60309-4/A1 (2012)	[European Standard] Plugs, socket-outlets and couplers for industrial purposes. - Switched socket-outlets and connectors, with or without interlock
Brida de Fijación	136X125MM		
Opciones	Con enclavamiento mecánico	DIRECTIVE LOW VOLTAGE 2014/35 /UE	[European Directives] Low Voltage Directive
Notas	SENZA BASE PORTAFUSIBILI		



At the end of the law,
we reserve the ownership
of this design may not
be copied and transfer it
to third parties or competitors

Format A3 Scale 1:1 Mould N°
Tolerances for linear and angular dimensions without
indication of specific tolerances: JS13 / UNI 286-1:2010



Drawn SCAME
Date
Approved

SCAME
S.p.A.
PARRE - (Bergamo)

DESCRIPTION
PRESA INCASSO OMNIA 3P+T 32A IP67

CODICE Sheet 1 / 1
4003479