

# SIRENA

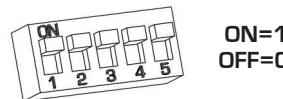
# MLINE | SIR-E S

# MLINE | SIR-E LED S

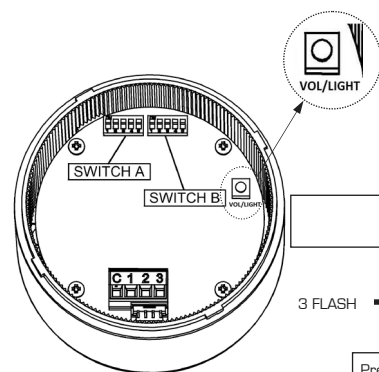
IP 65 Class 2

- ISTRUZIONI DI INSTALLAZIONE E UTILIZZO - INSTALLATION AND APPLICATION INSTRUCTIONS -  
 - INSTRUCTIONS D'INSTALLATION ET D'UTILISATION - INSTALLATIONS- UND BEDIENUNGSANLEITUNG -  
 - INSTRUCCIONES DE INSTALACIÓN Y EMPLEO -

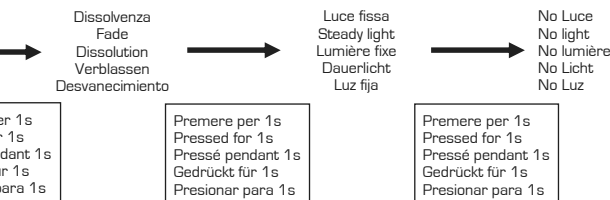
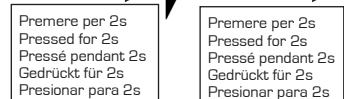
### SETTING EXAMPLE



1 1 1 1 1  
 SWITCH A: DING DONG  
 SWITCH B: DING DONG



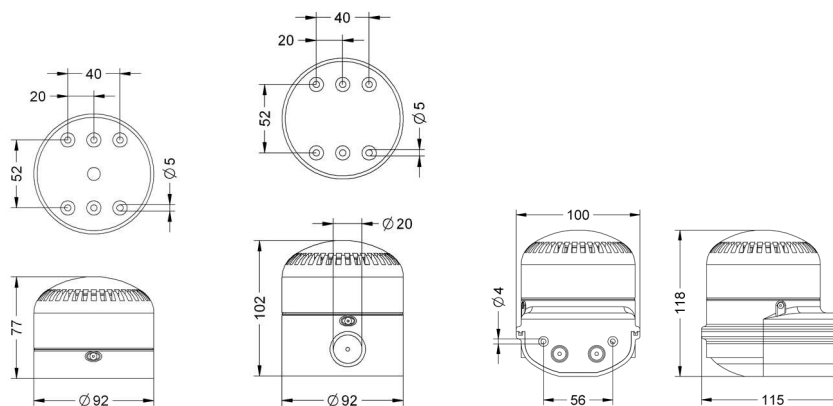
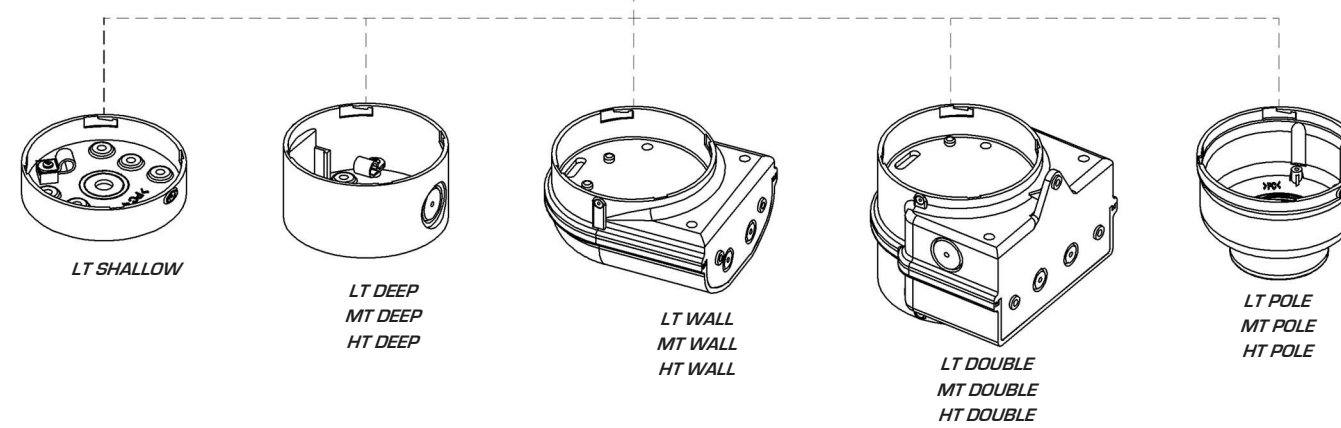
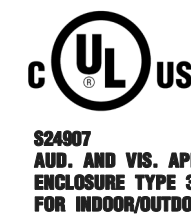
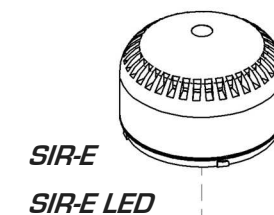
VOLUME/VOLUME/VOLUME/VOLUMEN/VOLUMEN



SWITCH A SOUNDS						
N°	STONE	STONE TYPE	F[Hz]	TIMES	DESCRIPTION	DIP SWITCH
1	Bitone		600 - 700	0.5s/0.5s	STANDARD	0 0 0 0 0
2	Bitone		440 - 560	0.565s/0.565s	STANDARD - EVACUATION	0 0 0 0 1
3	Bitone		800 - 970	0.25s/0.25s	BS5839-1:2002	0 0 0 0 1 0
4	Bitone		800 - 970	0.8s/0.8s	GENERAL PURPOSE	0 0 0 1 1
5	Bitone		1000 - 2000	1s/1s	GENERAL PURPOSE	0 0 1 0 0
6	Intermittent		420	0.625s ON/0.625s OFF	AUSTRALIA AS1670 ALERT TONE	0 0 1 0 1
7	Intermittent		660	0.15s ON/0.15s OFF	SWEDISH (AIR RAID)	0 0 1 1 0
8	Intermittent		660	1.8s ON/1.8s OFF	SWEDISH (LOCAL WARNING)	0 0 1 1 1
9	Intermittent		660	0.5s ON/0.5s OFF	SWEDISH GENERAL PURPOSE	0 1 0 0 0
10	Intermittent		720	0.7s ON/0.3s OFF	GENERAL PURPOSE	0 1 0 0 1
11	Intermittent		750	0.33s ON/0.5s OFF	GENERAL PURPOSE	0 1 0 1 0
12	Intermittent		800	0.25s ON/1s OFF	GENERAL PURPOSE	0 1 0 1 1
13	Intermittent		970 - 800	0.35s/0.35s/0.35s OFF X 3 1.5s OFF	ISO 8201	0 1 1 0 0
14	Intermittent		970	0.5s ON/0.5s OFF X 3 1.5s OFF	ISO 8201 LOW TONE	0 1 1 0 1
15	Intermittent		970	0.25s ON/0.25s OFF	GENERAL PURPOSE	0 1 1 1 0
16	Intermittent		2850	1s ON/1s OFF	GENERAL PURPOSE	0 1 1 1 1
17	Intermittent		2850	0.25s ON/0.25s OFF	GENERAL PURPOSE	1 0 0 0 0
18	Linear		300	-	GENERAL PURPOSE	1 0 0 0 1
19	Linear		660	-	SWEDISH (ALL CLEAR)	1 0 0 1 0
20	Linear		750	-	GENERAL PURPOSE	1 0 0 1 1
21	Linear		2850	-	GENERAL PURPOSE	1 0 1 0 0
22	Sweep		500 - 1200	3.5s ON/0.5s OFF	NETHERLANDS-NEN2575:2000	1 0 1 0 1
23	Sweep		500 - 1200	0.5s ON/0.5s OFF X 3 1.5s OFF	AUSTRALIA AS1670	1 0 1 1 0
24	Sweep		800 - 970	0.5s ON/0.5s OFF X 3 1.5s OFF	ISO 8201	1 0 1 1 1
25	Sweep		1000 - 1700	CYCLE 0.25s	STANDARD	1 1 0 0 0
26	Sweep		1000 - 1700	CYCLE 0.8s	STANDARD	1 1 0 0 1
27	Sinusoidal		1000 - 3000	CYCLE 0.64s	STANDARD	1 1 0 1 0
28	Sinusoidal		1000 - 3000	CYCLE 0.32s	STANDARD	1 1 0 1 1
29	White Noise		Random	-	STANDARD	1 1 1 0 0
30	Intermittent/White Noise		Random	0.5s ON/0.5s OFF	STANDARD	1 1 1 0 1
31	Ding Dong		700 - 600	0.9s/1.4s/1s OFF	REPEATING DING DONG	1 1 1 1 0
32	Ding Dong		554 - 440	0.9s/1.4s/1s OFF	REPEATING DING DONG	1 1 1 1 1

SWITCH B SOUNDS						
N°	STONE	STONE TYPE	F[Hz]	TIMES	DESCRIPTION	DIP SWITCH
33	Bitone		480 - 610	0.5s/0.5s	GENERAL PURPOSE - EVACUATION 1	0 0 0 0 0
34	Bitone		970 - 630	0.5s/0.5s	APOLLO FIRE SYSTEM BS5839	0 0 0 0 1
35	Bitone		554 - 440	0.1s/0.4s	FRANCE - AFNOR NF S 32 001	0 0 0 1 0
36	Bitone		440 - 554	0.5s/0.5s	GENERAL PURPOSE	0 0 0 1 1
37	Bitone		510 - 610	0.5s/0.5s	GENERAL PURPOSE	0 0 1 0 0
38	Bitone		510 - 610	1s/1s	GENERAL PURPOSE	0 0 1 0 1
39	Bitone		600 - 700	1s/1s	GENERAL PURPOSE	0 0 1 1 0
40	Bitone		550 - 1000	0.5s/0.5s	GENERAL PURPOSE	0 0 1 1 1
41	Bitone		550 - 1000	1s/1s	GENERAL PURPOSE	0 1 0 0 0
42	Bitone		800 - 1000	0.5s/0.5s	GENERAL PURPOSE	0 1 0 0 1
43	Bitone		800 - 1000	1s/1s	GENERAL PURPOSE	0 1 0 1 0
44	Bitone		1000 - 2000	0.5s/0.5s	GENERAL PURPOSE	0 1 0 1 1
45	Bitone		2400 - 2850	0.265s/0.265s	GENERAL PURPOSE	0 1 1 0 0
46	Bitone		2400 - 2850	0.465s/0.465s	GENERAL PURPOSE	0 1 1 0 1
47	Bitone		640 - 970	0.5s/0.5s	GENERAL PURPOSE	0 1 1 1 0
48	Bitone		490 - 610	0.25s/0.25s	GENERAL PURPOSE	0 1 1 1 1
49	Linear		610	-	GENERAL PURPOSE - EVACUATION 2	1 0 0 0 0
50	Linear		500	-	GENERAL PURPOSE	1 0 0 0 1
51	Linear		970	-	BS5839-1:2002	1 0 0 1 0
52	Intermittent		490	0.5s ON/1s OFF	GENERAL PURPOSE - WARNING	1 0 0 1 1
53	Intermittent		544	0.625s ON/0.625s OFF	GENERAL PURPOSE	1 0 1 0 0
54	Intermittent		660	6.5s ON/13s OFF	SWEDISH (PRE-MESS)	1 0 1 0 1
55	Intermittent		970	1s ON/1s OFF	APOLLO FIRE SYSTEM BS5839	1 0 1 1 0
56	Intermittent		2850	0.5s ON/0.5s OFF X 3 1.5s OFF	ISO 8201 HIGH TONE	1 0 1 1 1
57	Sweep		500 - 1200	CYCLE 3.75s/0.25s OFF	AS2220	1 1 0 0 0
58	Sweep		1400 - 1600	CYCLE 1.5s	NF 48-265	1 1 0 0 1
59	Sweep		800 - 970	CYCLE 1.5s	BS5839-1:2002	1 1 0 1 0
60	Sweep		1200 - 500	CYCLE 1s	DIN 33 404	1 1 0 1 1
61	White Noise		Random	-	STANDARD	1 1 1 0 0
62	Sinusoidal		500 - 2500	CYCLE 0.64s	STANDARD	1 1 1 0 1
63	Sinusoidal		500 - 2500	CYCLE 0.32s	STANDARD	1 1 1 1 0
64	Ding Dong		554 - 440	0.45s/0.7s/0.5s OFF	REPEATING DING DONG	1 1 1 1 1



SIRENA S LT		SIRENA LED S LT	
V <sub>50/60Hz</sub>	12÷24	V <sub>50/60Hz</sub>	12÷24
mA	280   190	mA	375   325
dB(A)1m*	86+105	dB(A)1m*	86+105

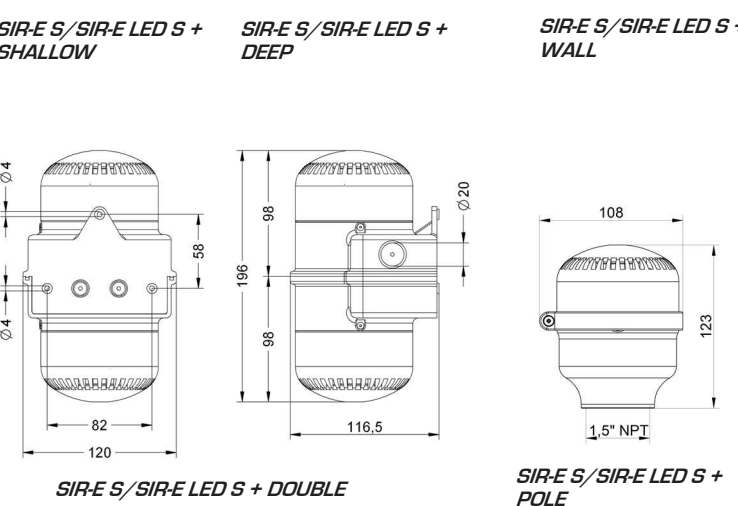
  

SIRENA S MT		SIRENA LED S MT	
V <sub>50/60Hz</sub>	40÷80	V <sub>50/60Hz</sub>	40÷80
mA	140   100	mA	285   165
dB(A)1m*	88.5+105	dB(A)1m*	88.5+105

SIRENA S HT		SIRENA LED S HT	
V <sub>50/60Hz</sub>	120÷240	V <sub>50/60Hz</sub>	120÷240
mA	125   90	mA	205   115
dB(A)1m*	87+105	dB(A)1m*	87+105

\* Non valutato da UL  
 \* Not evaluated by UL  
 \* Non évalué par UL  
 \* Nicht von UL bewertet.  
 \* No evaluado por UL



FUSIBILE DI PROTEZIONE	Sulla linea di alimentazione utilizzare fusibili ritardati dimensionati a seconda della tensione
FUSE WIRE PROTECTION	On the power supply line the rating of the supply fuse must be according to the voltage
FUSIBLE DE PROTECTION	Sur la ligne d'alimentation utiliser des fusibles retardés dimensionnés selon la tension
SCHUTZSICHERUNG	Für die Zuleitung träge Sicherungen verwenden, die nach der Spannung zu bemessen sind
FUSIBLE DE PROTECCIÓN	En la línea de alimentación emplear fusibles de seguridad adecuados al voltaje

L'INSTALLAZIONE DEVE ESSERE EFFETTUATA SOLO DA PERSONALE SPECIALIZZATO - INSTALLATION HAS TO BE DONE BY QUALIFIED PERSONNEL.  
 L'INSTALLATION DOIT ÊTRE EFFECTUÉE PAR PERSONNEL QUALIFIÉ - INSTALLATION IST VON EINER FACHKRAFT VORZUNEHMEN  
 LA INSTALACIÓN SÓLO DEBE SER REALIZADA POR PERSONAL CUALIFICADO

NON SMALTIRE COME RIFIUTO URBANO - NOT TO BE DISPOSED OF AS COMMON WASTE - NE PAS ELIMINER COMME DECHET URBAIN  
 NICHT ÜBER DIE NORMALE SAMMLUNG VON HAUSMÜLL ENTSORGEN - NO ELIMINAR COMO DESECHO URBANO

Sirena SpA C.so Moncenisio, 5-10-12-14-16 10090 ROSTA (TO) | Italia  
 Tel. +39 011 95 68 555 Fax +39 011 95 67 928 www.sirena.it E-mail: info@sirena.it

<b>ATTENZIONE</b>	Esiste la possibilità che i lampeggi rapidi, in certe circostanze, possano causare epilessia fotosensibile
<b>ATTENTION</b>	The possibility exists that rapid flashing lights, under certain circumstances, might induce photosensitive epilepsy
<b>ATTENTION</b>	Il est possible que des feux clignotants rapides, dans certaines circonstances, peuvent induire épilepsie photosensible
<b>ACHTUNG</b>	Es besteht die Möglichkeit, dass eine schnelle blinkende Lichter, unter bestimmten Umständen, Lichtempfindliche Epilepsie induzieren kann
<b>ATENCIÓN</b>	Existe la posibilidad que luces de intermitencia rápida, en determinadas circunstancias, podrían inducir epilepsia fotosensibile

<b>ATTENZIONE</b>	Togliere tensione prima di intervenire sul prodotto
<b>ATTENTION</b>	Disconnect power before servicing
<b>ATTENTION</b>	Débranchez l'alimentation avant de toute intervention sur le produit
<b>ACHTUNG</b>	Schalten Sie die Stromversorgung vor der Wartung
<b>ATENCIÓN</b>	Desconecte la corriente antes de abrir el producto

**CABLAGGIO/WIRING/CÂBLAGE/VERKABELUNG/CABLEADO BASES LT (12÷24V DC/AC)**

Solo per dispositivi con voltaggio 12-24 Vac/Vdc: l'alimentazione deve essere collegata solamente ad una sorgente "Classe 2" o "voltaggio limitato corrente limitata (LVLC)"  
 For devices rated 12-24 Vac/Vdc only: Power supply shall be connected to a "Class 2" or "Limited Voltage Limited Current (LVLC)" source only  
 Que pour dispositifs avec tension 12-24 Vac / Vdc: l'alimentation doit être branchée seulement à une source "Classe 2" ou "volage limité courant limité (LVLC)"  
 Nur für Geräte mit Nennspannung 12-24 Vac/Vdc: Die Stromversorgung soll nur an einer „Klasse 2“ oder einer "Limited Voltage Limited Current (LVLC)" Quelle angeschlossen werden.  
 Sólo para dispositivos con voltaje 12-24 Vac / Vdc: la alimentación tiene que ser conectada sólo a una fuente "Clase 2" o "voltaje limitado corriente limitada (LVLC)"

<b>SIRE S LT SHALLOW / SIRE LED S LT SHALLOW / SIRE S LT DEEP / SIRE LED S LT DEEP</b> <b>SIRE S LT WALL / SIRE LED S LT WALL / SIRE S LT DOUBLE / SIRE LED S LT DOUBLE</b>		12÷24V DC/AC
①	②	③
<p><b>C + 1 (solo per versione SIRE LED S):</b> Luce a LED (3 FLASH)  <b>C + 1 (only SIRE LED S version):</b> LED light (3 FLASH)  <b>C + 1 (seulement pour version SIRE LED S):</b> Lumière à LED (3 FLASH)  <b>C + 1 (nur für Ausführung SIRE LED S):</b> LED-Licht (3 FLASH)  <b>C + 1 (únicamente para la versión SIRE LED S):</b> Luz de LED (3 FLASH)</p> <p><b>C + 2:</b> Luce a LED (3 FLASH) (versione SIRE LED S) + suono SWITCH A (VOL. MAX)  <b>C + 2:</b> LED light (3 FLASH) (SIRE LED S version) + SWITCH A sound (VOL. MAX)  <b>C + 2:</b> Lumière à LED (3 FLASH) (version SIRE LED S) + son SWITCH A (VOL. MAX)  <b>C + 2:</b> LED-Licht (3 FLASH) (Ausführung SIRE LED S) + Ton SWITCH A (VOL. MAX)  <b>C + 2:</b> Luz de LED (3 FLASH) (versión SIRE LED S) + Sonido SWITCH A (VOL. MAX)</p> <p><b>C + 3:</b> Luce a LED (Luce fissa) (versione SIRE LED S) + suono SWITCH B (VOL. MAX)  <b>C + 3:</b> LED light (Steady light) (SIRE LED S version) + SWITCH B sound (VOL. MAX)  <b>C + 3:</b> Lumière à LED (Lumière fixe) (version SIRE LED S) + son SWITCH B (VOL. MAX)  <b>C + 3:</b> LED-Licht (Dauerlicht) (Ausführung SIRE LED S) + Ton SWITCH B (VOL. MAX)  <b>C + 3:</b> Luz de LED (Luz fija) (versión SIRE LED S) + Sonido SWITCH B (VOL. MAX)</p>		
<p><b>C + 2 ha priorità su C + 1</b>  <b>C + 2 has priority over C + 1</b>  <b>C + 2 est prioritaire sur C + 1</b>  <b>C + 2 hat die Priorität auf C + 1</b>  <b>C + 2 tiene prioridad en C + 1</b></p> <p><b>C + 3 ha priorità su C + 2 e C + 1</b>  <b>C + 3 has priority over C + 2 and C + 1</b>  <b>C + 3 est prioritaire sur C + 2 et C + 1</b>  <b>C + 3 hat die Priorität auf C + 2 und C + 1</b>  <b>C + 3 tiene prioridad en C + 2 y C + 1</b></p>		

**CABLAGGIO/WIRING/CÂBLAGE/VERKABELUNG/CABLEADO BASES MT (40÷80V DC/AC) and BASES HT (120÷240V AC)**

①	②	②	②
③	③	③	④
<p><b>C + 1 (solo per versione SIRE LED S):</b> Luce a LED (3 FLASH)  <b>C + 1 (only SIRE LED S version):</b> LED light (3 FLASH)  <b>C + 1 (seulement pour version SIRE LED S):</b> Lumière à LED (3 FLASH)  <b>C + 1 (nur für Ausführung SIRE LED S):</b> LED-Licht (3 FLASH)  <b>C + 1 (únicamente para la versión SIRE LED S):</b> Luz de LED (3 FLASH)</p> <p><b>C + 2:</b> Luce a LED (3 FLASH) (versione SIRE LED S) + suono SWITCH A (VOL. MAX)  <b>C + 2:</b> LED light (3 FLASH) (SIRE LED S version) + SWITCH A sound (VOL. MAX)  <b>C + 2:</b> Lumière à LED (3 FLASH) (version SIRE LED S) + son SWITCH A (VOL. MAX)  <b>C + 2:</b> LED-Licht (3 FLASH) (Ausführung SIRE LED S) + Ton SWITCH A (VOL. MAX)  <b>C + 2:</b> Luz de LED (3 FLASH) (versión SIRE LED S) + Sonido SWITCH A (VOL. MAX)</p> <p><b>C + 3:</b> Luce a LED (Luce fissa) (versione SIRE LED S) + suono SWITCH B (VOL. MAX)  <b>C + 3:</b> LED light (Steady light) (SIRE LED S version) + SWITCH B sound (VOL. MAX)  <b>C + 3:</b> Lumière à LED (Lumière fixe) (version SIRE LED S) + son SWITCH B (VOL. MAX)  <b>C + 3:</b> LED-Licht (Dauerlicht) (Ausführung SIRE LED S) + Ton SWITCH B (VOL. MAX)  <b>C + 3:</b> Luz de LED (Luz fija) (versión SIRE LED S) + Sonido SWITCH B (VOL. MAX)</p>			
<p><b>C + 2 ha priorità su C + 1</b>  <b>C + 2 has priority over C + 1</b>  <b>C + 2 est prioritaire sur C + 1</b>  <b>C + 2 hat die Priorität auf C + 1</b>  <b>C + 2 tiene prioridad en C + 1</b></p> <p><b>C + 3 ha priorità su C + 2 e C + 1</b>  <b>C + 3 has priority over C + 2 and C + 1</b>  <b>C + 3 est prioritaire sur C + 2 et C + 1</b>  <b>C + 3 hat die Priorität auf C + 2 und C + 1</b>  <b>C + 3 tiene prioridad en C + 2 y C + 1</b></p>			
⑤	⑤	⑤	

<b>SIRE S MT DOUBLE / SIRE LED S MT DOUBLE 40÷80V DC/AC</b>		<b>SIRE S HT DOUBLE / SIRE LED S HT DOUBLE 120÷240V AC</b>	
①	②	③	④
<p><b>⑤ UPPER SIRE S/SIRE LED S</b></p> <p><b>C + 1 (solo per versione SIRE LED S):</b> Luce a LED (3 FLASH)  <b>C + 1 (only SIRE LED S version):</b> LED light (3 FLASH)  <b>C + 1 (seulement pour version SIRE LED S):</b> Lumière à LED (3 FLASH)  <b>C + 1 (nur für Ausführung SIRE LED S):</b> LED-Licht (3 FLASH)  <b>C + 1 (únicamente para la versión SIRE LED S):</b> Luz de LED (3 FLASH)</p> <p><b>C + 2:</b> Luce a LED (3 FLASH) (versione SIRE LED S) + suono SWITCH A (VOL. MAX)  <b>C + 2:</b> LED light (3 FLASH) (SIRE LED S version) + SWITCH A sound (VOL. MAX)  <b>C + 2:</b> Lumière à LED (3 FLASH) (version SIRE LED S) + son SWITCH A (VOL. MAX)  <b>C + 2:</b> LED-Licht (3 FLASH) (Ausführung SIRE LED S) + Ton SWITCH A (VOL. MAX)  <b>C + 2:</b> Luz de LED (3 FLASH) (versión SIRE LED S) + Sonido SWITCH A (VOL. MAX)</p> <p><b>C + 3:</b> Luce a LED (Luce fissa) (versione SIRE LED S) + suono SWITCH B (VOL. MAX)  <b>C + 3:</b> LED light (Steady light) (SIRE LED S version) + SWITCH B sound (VOL. MAX)  <b>C + 3:</b> Lumière à LED (Lumière fixe) (version SIRE LED S) + son SWITCH B (VOL. MAX)  <b>C + 3:</b> LED-Licht (Dauerlicht) (Ausführung SIRE LED S) + Ton SWITCH B (VOL. MAX)  <b>C + 3:</b> Luz de LED (Luz fija) (versión SIRE LED S) + Sonido SWITCH B (VOL. MAX)</p>		<p><b>⑤ LOWER SIRE S/SIRE LED S</b></p> <p><b>C + 4 (solo per versione SIRE LED S):</b> Luce a LED (3 FLASH)  <b>C + 4 (only SIRE LED S version):</b> LED light (3 FLASH)  <b>C + 4 (seulement pour version SIRE LED S):</b> Lumière à LED (3 FLASH)  <b>C + 4 (nur für Ausführung SIRE LED S):</b> LED-Licht (3 FLASH)  <b>C + 4 (únicamente para la versión SIRE LED S):</b> Luz de LED (3 FLASH)</p> <p><b>C + 5:</b> Luce a LED (3 FLASH) (versione SIRE LED S) + suono SWITCH A (VOL. MAX)  <b>C + 5:</b> LED light (3 FLASH) (SIRE LED S version) + SWITCH A sound (VOL. MAX)  <b>C + 5:</b> Lumière à LED (3 FLASH) (version SIRE LED S) + son SWITCH A (VOL. MAX)  <b>C + 5:</b> LED-Licht (3 FLASH) (Ausführung SIRE LED S) + Ton SWITCH A (VOL. MAX)  <b>C + 5:</b> Luz de LED (3 FLASH) (versión SIRE LED S) + Sonido SWITCH A (VOL. MAX)</p> <p><b>C + 6:</b> Luce a LED (Luce fissa) (versione SIRE LED S) + suono SWITCH B (VOL. MAX)  <b>C + 6:</b> LED light (Steady light) (SIRE LED S version) + SWITCH B sound (VOL. MAX)  <b>C + 6:</b> Lumière à LED (Lumière fixe) (version SIRE LED S) + son SWITCH B (VOL. MAX)  <b>C + 6:</b> LED-Licht (Dauerlicht) (Ausführung SIRE LED S) + Ton SWITCH B (VOL. MAX)  <b>C + 6:</b> Luz de LED (Luz fija) (versión SIRE LED S) + Sonido SWITCH B (VOL. MAX)</p>	
<p><b>C + 2 ha priorità su C + 1</b>  <b>C + 2 has priority over C + 1</b>  <b>C + 2 est prioritaire sur C + 1</b>  <b>C + 2 hat die Priorität auf C + 1</b>  <b>C + 2 tiene prioridad en C + 1</b></p> <p><b>C + 3 ha priorità su C + 2 e C + 1</b>  <b>C + 3 has priority over C + 2 and C + 1</b>  <b>C + 3 est prioritaire sur C + 2 et C + 1</b>  <b>C + 3 hat die Priorität auf C + 2 und C + 1</b>  <b>C + 3 tiene prioridad en C + 2 y C + 1</b></p>		<p><b>C + 5 ha priorità su C + 4</b>  <b>C + 5 has priority over C + 4</b>  <b>C + 5 est prioritaire sur C + 4</b>  <b>C + 5 hat die Priorität auf C + 4</b>  <b>C + 5 tiene prioridad en C + 4</b></p> <p><b>C + 6 ha priorità su C + 5 e C + 4</b>  <b>C + 6 has priority over C + 5 and C + 4</b>  <b>C + 6 est prioritaire sur C + 5 et C + 4</b>  <b>C + 6 hat die Priorität auf C + 5 und C + 4</b>  <b>C + 6 tiene prioridad en C + 5 y C + 4</b></p>	

**BLOCCAGGIO CUPOLE/DOME TIGHTENING/SERRAGE DU DÔME/ANZIEHEN DER HAUBE/APRIETE DE LA CÚPULA**

①	②	①	②	①	②	③
<b>SIRE S SHALLOW / SIRE LED S SHALLOW</b>		<b>SIRE S DEEP / SIRE LED S DEEP</b>		<b>SIRE S WALL / SIRE LED S WALL</b>		
<p><b>③</b></p> <p><b>SIRE S DOUBLE / SIRE LED S DOUBLE</b></p>						
①	②	③	④			
<b>SIRE S POLE / SIRE LED S POLE</b>						