



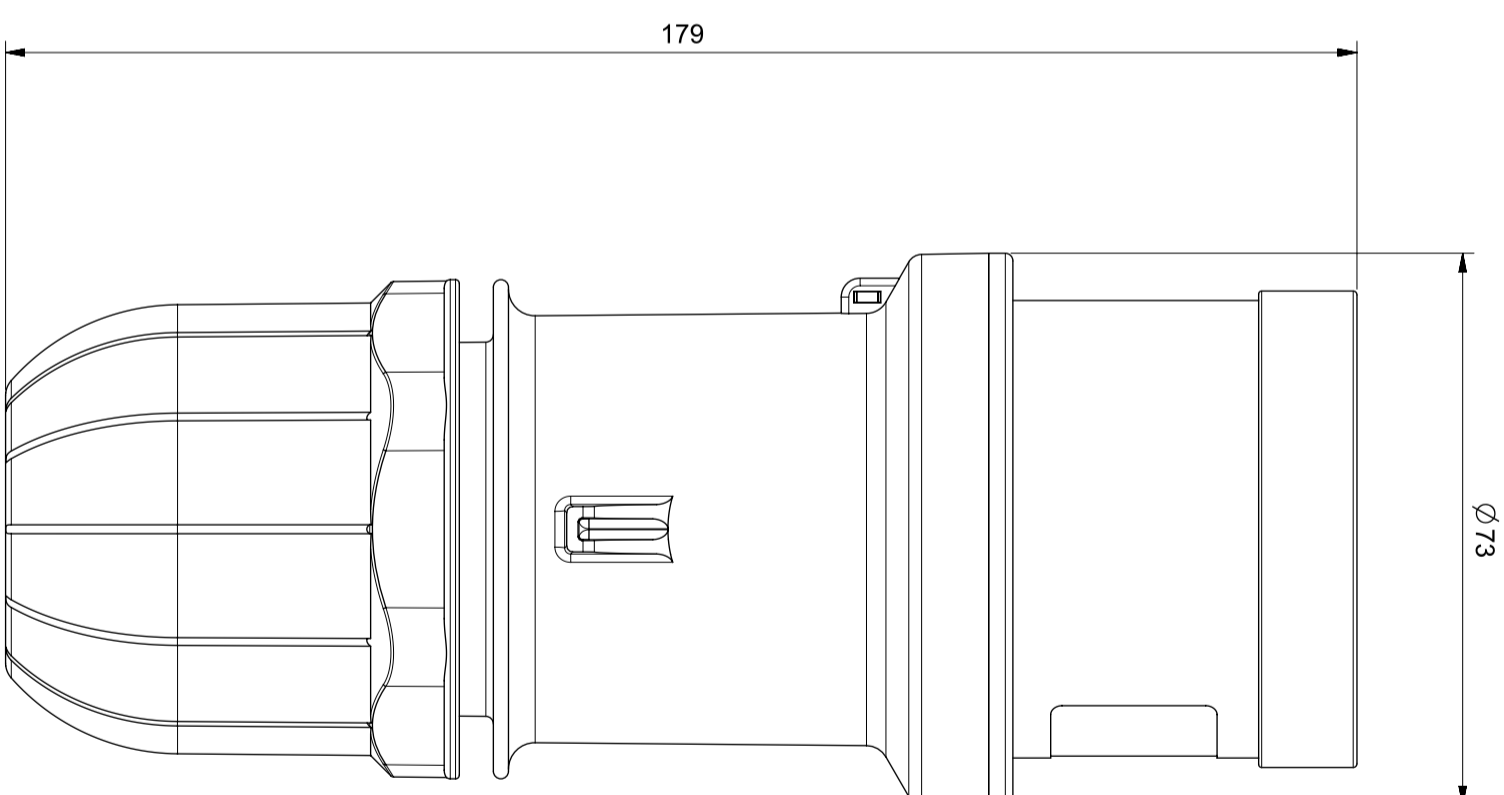
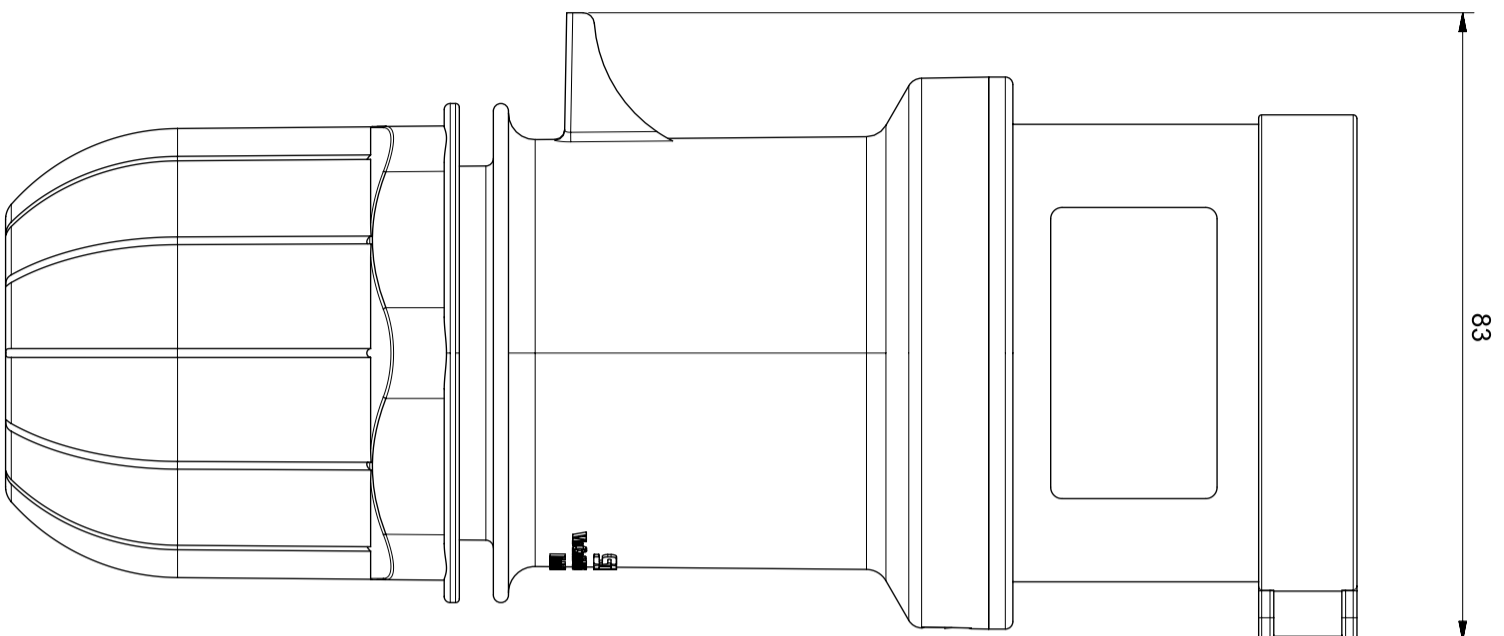
# 213.3237

## CLAVIJA AÉREA

32A 3P+N+T 6h 346-415V 50Hz 60Hz Borne de tornillo

Product Approvals

TECHDATA		STANDARDS AND LAWS	
Tipo de producto	CLAVIJA AÉREA	EN 60309-1 (1999)	[European Standard] Plugs, socket-outlets and couplers for industrial purposes. Part 1: General requirements
Serie comercial	Serie OPTIMA	EN 60309-2 (1999)	[European Standard] Plugs, socket-outlets and couplers for industrial purposes. Part 2: Dimensional interchangeability requirements for pin and contact-tube accessories of harmonized configurations
Descripción sintética	CLAVIJA AÉREA		
Tipo de instalación	PORTÁTIL		
Intensidad nominal	32A	EN 60309-1/A1 (2007)	[European Standard] Plugs, socket-outlets and couplers for industrial purposes. Part 1: General requirements
Polos	3P+N+T	EN 60309-2/A1 (2007)	[European Standard] Plugs, socket-outlets and couplers for industrial purposes. Part 2: Dimensional interchangeability requirements for pin and contact-tube accessories of harmonized configurations
Posición de hora	6h		
Tensión nominal (range)	250-400V	EN 60309-1/A2 (2012)	[European Standard] Plugs, socket-outlets and couplers for industrial purposes. Part 1: General requirements
Tensión nominal	346-415V		
Frecuencia nominal	60Hz	EN 60309-2/A2 (2012)	[European Standard] Plugs, socket-outlets and couplers for industrial purposes. Part 2: Dimensional interchangeability requirements for pin and contact-tube accessories of harmonized configurations
Frecuencia nominal	50Hz		
Color	ROJO	DIRECTIVE LOW VOLTAGE 2014/35 /UE	[European Directives] Low Voltage Directive
Grado de protección	Splash proof		
Grado de protección IP	IP44/IP54		
Tipos de salidas disponibles	RECTA		
Bornes	Borne de tornillo		
Salida del cable	PRENSAESTOPAS		



IL DISEGNO SI RIFERISCE ALLA POSIZIONE 6H  
THE DWG REFERS TO CLOCK POSITION 6H

Under the terms of the law we reserve the ownership of this design may not be copied and transfer it to third parties or competitors	Format	A3	Scale	1:1	Mould N°	-	Drawn	-
	Tolerances for linear and angular dimensions without indication of specific tolerances: JS13 / UNI 286-1:2010						Date	-
	DESCRIPTION						Approved	-
	SPINA MOBILE 3P+N+T IP44 32A						CODICE Sheet 1 / 1	

**SCRAMIE**  
S.p.A.  
PARRE - (Bergamo)

4002071